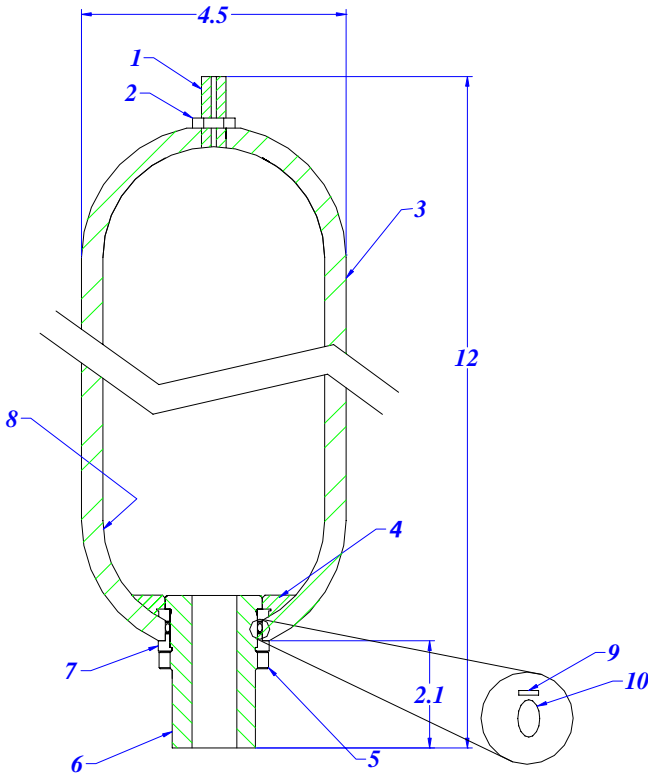


1 Quart 4000 & 5000 psi Gas Bottles



List of Component Parts		Alternate Service ¹		
		WS	SS	XS
Description	Part Number (OS)			
1 Gas Valve Plug ³	AI-QTR-301		-SS	-SS
2 Jam Nut	AI-S-305	-SS	-SS	-SS
3 Info Label	AI-IQT-421			
3 Caution Label	AI-IQT-414			
4 Anti-Extrusion Ring				
	Buna-Nitrile	AI-IQT-407	-WS	-WS
	EPDM	AI-IQT-407-E	-WS	-WS
	Fluorocarbon	AI-IQT-407-V	-WS	-WS
5 Locknut	AI-IQT-403	-WS	-SS	-SS
6 Gas Port ⁴	AI-QGB3-402	-WS	-SS	-SS
7 Spacer	AI-IQT-406	-WS	-SS	-SS
8 Shell (3000 psi)	Not for Sale	N/A	N/A	N/A
9 Metal Back-Up Ring	AI-IQT-412	-SS	-SS	-SS
10 O-Ring				
	Buna-Nitrile	AI-IQT-410		
	EPDM	AI-IQT-410-E		
	Fluorocarbon	AI-IQT-410-V		

Standard Configuration

SA 372 Chrome-moly Steel Shell
 C-1018 and 4130 or 4140 Components
³/₈"-24 UNF Female Top End
³/₄" NPT Female Fluid Port
 Buna-Nitrile Rubber Components

Optional Configuration (at extra cost)

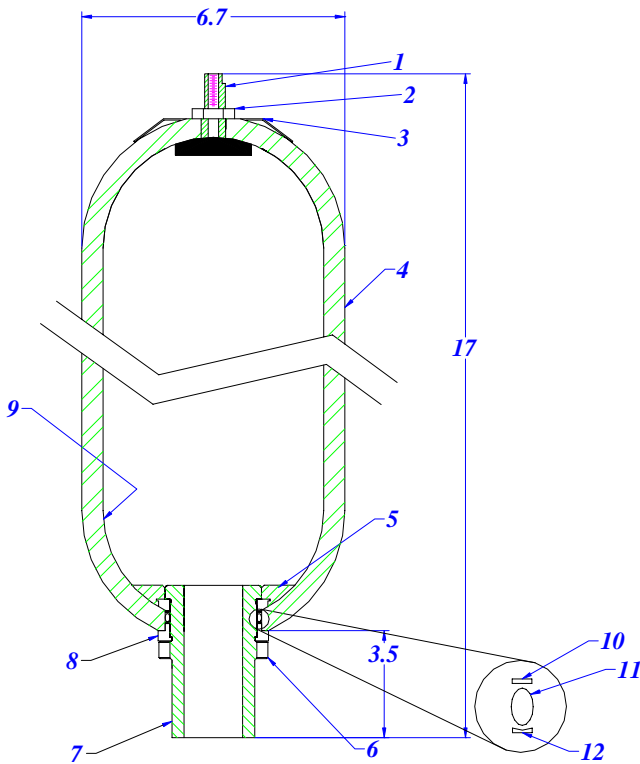
AN Gas Valve
 Resin Coatings, Internal (WS)
 Electroless Nickel Plating, Internal & External (SS)
 Resin Coating – ID, 3 Part Marine Epoxy Paint – OD (XS)
 Stainless Steel Components
 Foreign and Domestic Codes
 Call Factory for Other Options

Top End Options	
Gas Prot Type	Designation
Plugged	GB
³ / ₈ "-24 UNF Female (GT Valve)	GC
¹ / ₂ "-20 UNF Female (No Valve)	GD
¹ / ₂ "-20 ENF Female (AN Valve)	GE
¹ / ₄ " NPT Female (No Valve)	GF
¹ / ₈ " NPT Female (No Valve)	GG
³ / ₁₆ " NPT Female (No Valve)	GH

Gas Port Options	
Gas Port Type	Designation
³ / ₄ " NPT Female	None
Metric Female	-2
¹ / ₁₆ "-12 SAE Female	-3
Code 61, ³ / ₄ " SAE Split Flange	-4
BSP Female	-7
Other	Call
Special Materials	Call

¹ OS-Oil Service, WS- Water Service, SS-Special Service, XS-Extreme Service
² Special service accumulator uses a solid protective cap
³ See Top End Options for options
⁴ See Gas Port Options for options
⁵ Nominal dimensions. Manufacturing variations will occur. Allow ⁺/₂".

1 Gallon 3000 psi Gas Bottle



List of Component Parts		Alternate Service ¹			
		Part Number (OS)	WS	SS	XS
1	Gas Valve Plug ³	AI-1-R3-301		-SS	-SS
2	Jam Nut	AI-S-305	-SS	-SS	-SS
3	Name Plate	AI-S-413			
4	Caution Label	AI-S-421			
5	Anti-Extrusion Ring				
	Buna-Nitrile	AI-1-407	-WS	-WS	-WS
	EPDM	AI-1-407-E	-WS	-WS	-WS
	Fluorocarbon	AI-1-407-V	-WS	-WS	-WS
6	Locknut	AI-1-403	-WS	-SS	-SS
7	Gas Port ⁴	AI-1-GB3-402	-WS	-SS	-SS
8	Spacer	AI-1-406	-WS	-SS	-SS
9	Shell (3000 psi)	Not for Sale	N/A	N/A	N/A
10	Metal Back-Up Ring	AI-1-412	-SS	-SS	-SS
11	O-Ring				
	Buna-Nitrile	AI-1-410			
	EPDM	AI-1-410-E			
	Fluorocarbon	AI-1-410-V			
12	Rubber Back-Up Ring	AI-1-411			

Standard Configuration

SA 372 Chrome-moly Steel Shell
 C-1018 and 4130 or 4140 Components
³/₈"-24 UNF Female Top End
 1 ¹/₄" NPT Female Fluid Port
 Buna-Nitrile Rubber Components

Optional Configuration (at extra cost)

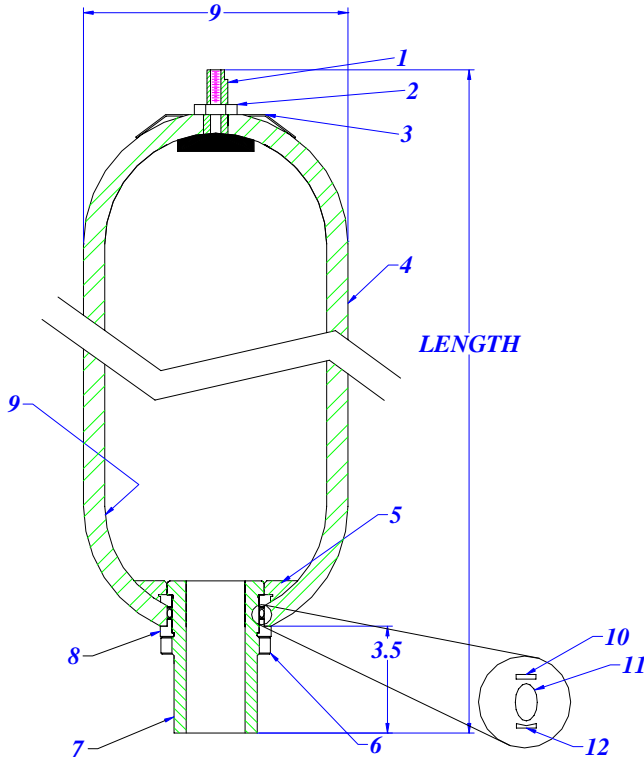
AN Gas Valve
 Resin Coatings, Internal (WS)
 Electroless Nickel Plating, Internal & External (SS)
 Resin Coating – ID, 3 Part Marine Epoxy Paint – OD (XS)
 Stainless Steel Components
 Foreign and Domestic Codes
 Call Factory for Other Options

Top End Options	
Gas Prot Type	Designation
Plugged	GB
³ / ₈ "-24 UNF Female (GT Valve)	GC
¹ / ₂ "-20 UNF Female (No Valve)	GD
¹ / ₂ "-20 ENF Female (AN Valve)	GE
¹ / ₄ " NPT Female (No Valve)	GF
¹ / ₈ " NPT Female (No Valve)	GG
³ / ₁₆ " NPT Female (No Valve)	GH

Gas Port Options	
Gas Port Type	Designation
1 ¹ / ₄ " NPT Female	None
Metric Female	-2
1 ³ / ₈ "-12 SAE Female	-3
Code 61, 1 ¹ / ₂ " SAE Split Flange	-4
BSP Female	-7
Other	Call
Special Materials	Call

¹ OS-Oil Service, WS- Water Service, SS-Special Service, XS-Extreme Service
² Special service accumulator uses a solid protective cap
³ See Top End Options for options
⁴ See Gas Port Options for options
⁵ Nominal dimensions. Manufacturing variations will occur. Allow ¹/₂".

2.5-15 Gallon 3000 psi Gas Bottle



List of Component Parts		Alternate Service ¹		
Description	Part Number (OS)	WS	SS	XS
1 Gas Valve Plug ³	AI-R3-301		-SS	-SS
2 Jam Nut	AI-S-305	-SS	-SS	-SS
3 Name Plate	AI-S-413			
4 Caution Label	AI-S-421			
5 Anti-Extrusion Ring				
Buna-Nitrile	AI-S-407	-WS	-WS	-WS
EPDM	AI-S-407-E	-WS	-WS	-WS
Fluorocarbon	AI-S-407-V	-WS	-WS	-WS
6 Locknut	AI-S-403	-WS	-SS	-SS
7 Gas Port ⁴	AI-GB3-402	-WS	-SS	-SS
8 Spacer	AI-S3-406	-WS	-SS	-SS
9 Shell (3000 psi)	Not for Sale	N/A	N/A	N/A
10 Metal Back-Up Ring	AI-S-412	-SS	-SS	-SS
11 O-Ring				
Buna-Nitrile	AI-S-410			
EPDM	AI-S-410-E			
Fluorocarbon	AI-S-410-V			
12 Rubber Back-Up Ring	AI-S-411			

Dimensions ⁶		
Part Number	Length	Weight
A2.5GB3100	20"	78 lbs
A5GB3100	32"	118 lbs
A10GB3100	53"	214 lbs
A11GB3100	59"	232 lbs
A15GB3100	77"	298 lbs

Top End Options	
Gas Prot Type	Designation
Plugged	GB
³ / ₈ "-24 UNF Female (GT Valve)	GC
¹ / ₂ "-20 UNF Female (No Valve)	GD
¹ / ₂ "-20 ENF Female (AN Valve)	GE
¹ / ₄ " NPT Female (No Valve)	GF
¹ / ₈ " NPT Female (No Valve)	GG
³ / ₁₆ " NPT Female (No Valve)	GH
2" NPT Female Port ⁵	GI
1 ⁷ / ₈ "-12 SAE Female Port ⁵	GJ
1 ¹ / ₄ " NPT Female Port ⁵	GK

Standard Configuration

SA 372 Chrome-moly Steel Shell
 C-1018 and 4130 or 4140 Components
³/₈"-24 UNF Female Top End
 2" NPT Female Fluid Port
 Buna-Nitrile Rubber Components

Optional Configuration (at extra cost)

AN Gas Valve
 Resin Coatings, Internal (WS)
 Electroless Nickel Plating, Internal & External (SS)
 Resin Coating – ID, 3 Part Marine Epoxy Paint – OD (XS)
 Stainless Steel Components
 Foreign and Domestic Codes
 Call Factory for Other Options

Gas Port Options	
Gas Port Type	Designation
2" NPT Female	None
1 ¹ / ₄ " NPT Female	-1
Metric Female	-2
1 ⁷ / ₈ "-12 SAE Female	-3
Code 61, 2" SAE Split Flange	-4
Other	Call
Special Materials	Call

1 OS-Oil Service, WS- Water Service, SS-Special Service, XS-Extreme Service
 2 Special service accumulator uses a solid protective cap
 3 See Top End Options for options
 4 See Gas Port Options for options
 5 Uses Top Repairable Design (Not Shown)
 6 Nominal dimensions. Manufacturing variations will occur. Allow ⁺/₂".