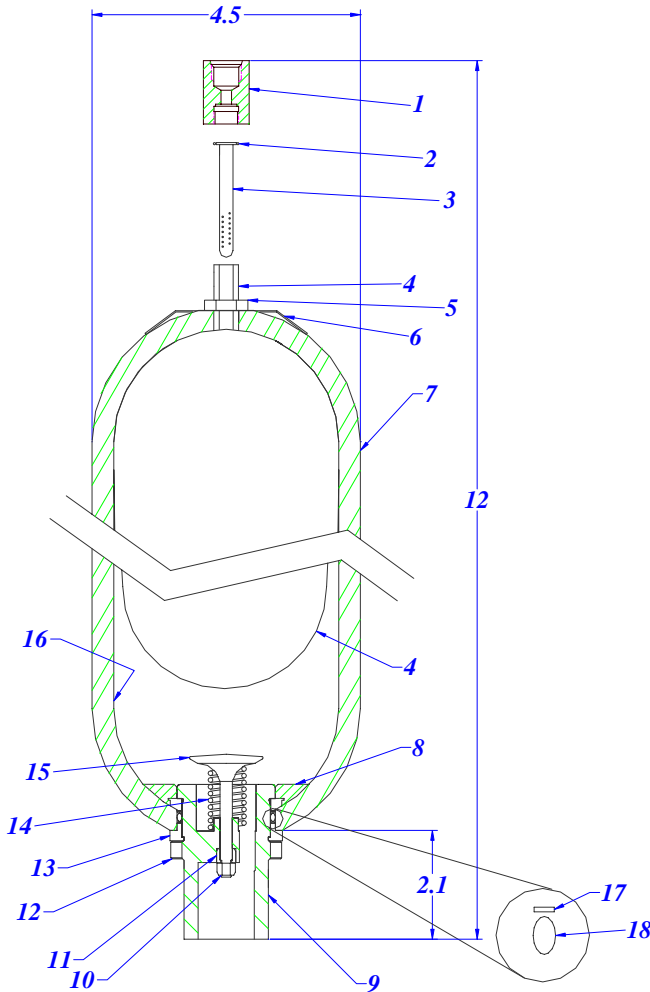


1 Quart 4000 & 5000 psi Transfer Barrier Accumulator



List of Component Parts		Alternate Service ¹		
Description	Part Number (OS)	WS	SS	XS
1	Transfer Barrier Coupler ²	AI-TB-321-C		
2	Transfer Barrier O-Ring	AI-TB-310		
3	Transfer Barrier Tube	AI-TB-320-A		
4	Bladder Kit ³			
	Buna-Nitrile	AI-1QT-TB-3KT	-SS	-SS
	Butyl	AI-1QT-TB-3KTB	-SS	-SS
	EPR	AI-1QT-TB-3KTE	-SS	-SS
	Fluorocarbon	AI-1QT-TB-3KTV	-SS	-SS
	Hydrin	AI-1QT-TB-3KTH	-SS	-SS
	Low Temp Buna	AI-1QT-TB-3KTL	-SS	-SS
5	Hex Jam Nut	AI-S-305	-SS	-SS
6	Name Plate	AI-1QT-413		
7	Caution Label	AI-1QT-421		
7	Information Label	AI-1QT-414		
8	Anti-Extrusion Ring			
	Buna-Nitrile	AI-1QT-407	-WS	-WS
	EPDM	AI-1QT-407-E	-WS	-WS
	Fluorocarbon	AI-1QT-407-V	-WS	-WS
9	Oil Port ⁴	AI-1QT-402	-WS	-SS
10	Stop Nut	AI-1QT-408	-SS	-SS
11	Piston	AI-1QT-405		
12	Locknut	AI-1QT-403	-WS	-SS
13	Spacer	AI-1QT-406	-WS	-SS
14	Spring	AI-1QT-409		
15	Poppet	AI-1QT-404	-SS	-SS
16	Shell (4000 psi, 5000 psi App 22)	Not for Sale	N/A	N/A
17	Metal Back-Up Ring	AI-1QT-412	-SS	-SS
18	O-Ring			
	Buna-Nitrile	AI-1QT-410		
	EPDM	AI-1QT-410-E		
	Fluorocarbon	AI-1QT-410-V		

Dimensions ⁵	
Part Number	Weight
AIQTTB4100	9.5 lbs
AIQTTB5100	9.5 lbs

Standard Configuration

SA 372 Chrome-moly Steel Shell
 C-1018, 316 SS and 4130 or 4140 Components
 1/2" NPT Coupler
 3/4" NPT Female Fluid Port
 Buna-Nitrile Rubber Components

Optional Configuration (at extra cost)

Resin Coatings, Internal (WS)
 Electroless Nickel Plating, Internal & External (SS)
 Resin Coating – ID, 3 Part Marine Epoxy Paint – OD (XS)
 Stainless Steel Components
 Foreign and Domestic Codes
 Call Factory for Other Options

Coupler Options	
Coupler Type	Designation
3/8" NPT	-A
1/2" NPT	-B
3/4" NPT	-C
1" NPT	-D
1 1/4" NPT	-E
3-Way 1/2" NPT	-F
1/4" NPT	-G
1/2"-20 SAE	-H
3/8" x 3/8" x 1/2" NPT	-I
1/8" NPT	-J
Other	Call

Oil Port Options	
Fluid Port Type	Designation
3/4" NPT Female	None
Metric Female	-2
1 1/16"-12 SAE Female	-3
BSP Female	-7
Other	Call
Special Materials	Call

1 OS-Oil Service, WS- Water Service, SS-Special Service, XS-Extreme Service

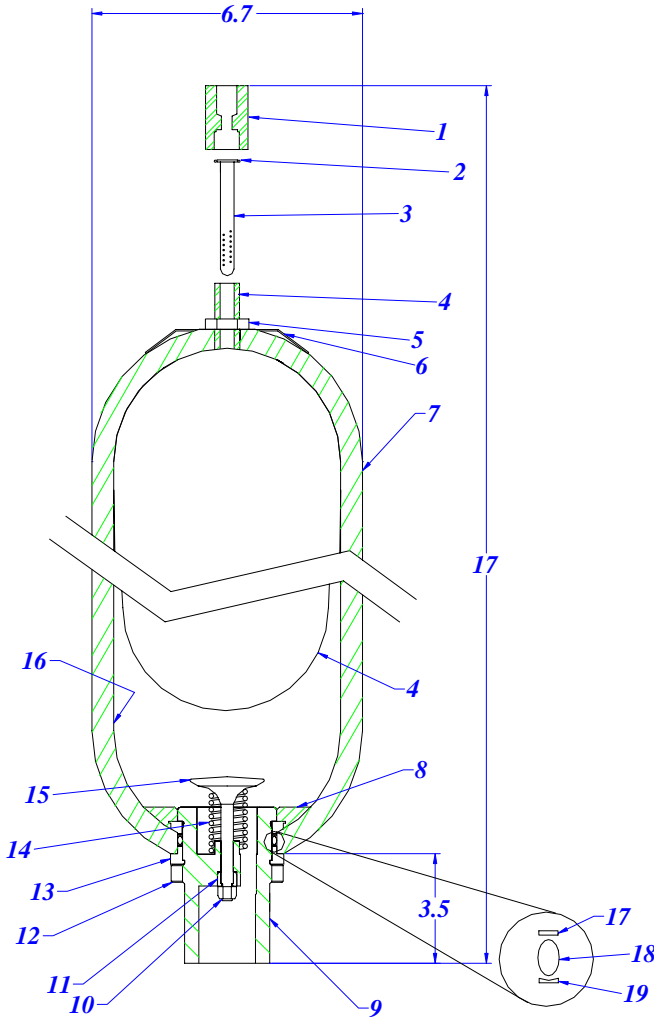
2 See Coupler Options for options

3 Bladder kit consists of the following parts: 4, 17 and 18

4 See Oil Port Configuration for options

5 Nominal dimensions. Manufacturing variations will occur. Allow +/- .2".

1 Gallon 3000 psi Transfer Barrier Accumulator



Standard Configuration

SA 372 Chrome-moly Steel Shell
 C-1018 and 4130 or 4140 Components
 1/2" NPT Coupler
 1 1/4" NPT Female Fluid Port
 Buna-Nitrile Rubber Components

Optional Configuration (at extra cost)

Resin Coatings, Internal (WS)
 Electroless Nickel Plating, Internal & External (SS)
 Resin Coating – ID, 3 Part Marine Epoxy Paint – OD (XS)
 Stainless Steel Components
 Foreign and Domestic Codes
 Call Factory for Other Options

1 OS-Oil Service, WS- Water Service, SS-Special Service, XS-Extreme Service

2 See Coupler Options for options

3 Bladder kit consists of the following parts: 4, 17, 18, and 19

4 See Oil Port Configuration for options

5 Nominal dimensions. Manufacturing variations will occur. Allow +/- .2".

List of Component Parts		Alternate Service ¹		
Description	Part Number (OS)	WS	SS	XS
1	Transfer Barrier Coupler ²	AI-TB-321-C		
2	Transfer Barrier O-Ring	AI-TB-310		
3	Transfer Barrier Tube	AI-TB-320-C		
4	Bladder Kit ³			
	Buna-Nitrile	AI-1-TB-3KT	-SS	-SS
	Butyl	AI-1-TB-3KT-B	-SS	-SS
	EPR	AI-1-TB-3KT-E	-SS	-SS
	Fluorocarbon	AI-1-TB-3KT-V	-SS	-SS
	Hydrin	AI-1-TB-3KT-H	-SS	-SS
	Low Temp Buna	AI-1-TB-3KT-L	-SS	-SS
5	Hex Jam Nut	AI-S-305	-SS	-SS
6	Name Plate	AI-1-413		
7	Caution Label	AI-S-421		
8	Anti-Extrusion Ring			
	Buna-Nitrile	AI-1-407	-WS	-WS
	EPDM	AI-1-407-E	-WS	-WS
	Fluorocarbon	AI-1-407-V	-WS	-WS
9	Oil Port ⁴	AI-1-402	-WS	-SS
10	Stop Nut	AI-1-408	-SS	-SS
11	Piston	AI-1-405	-SS	-SS
12	Locknut	AI-1-403	-WS	-SS
13	Spacer	AI-1-406	-WS	-SS
14	Spring	AI-1-409	-SS	-SS
15	Poppet	AI-1-404	-SS	-SS
16	Shell (3000 psi)	Not for Sale		
17	Metal Back-Up Ring	AI-1-412	-SS	-SS
18	O-Ring			
	Buna-Nitrile	AI-1-410		
	EPDM	AI-1-410-E		
	Fluorocarbon	AI-1-410-V		
19	Rubber Back-Up Ring	AI-1-411		

Dimensions⁵

Part Number	Weights
AITB3100	32 lbs

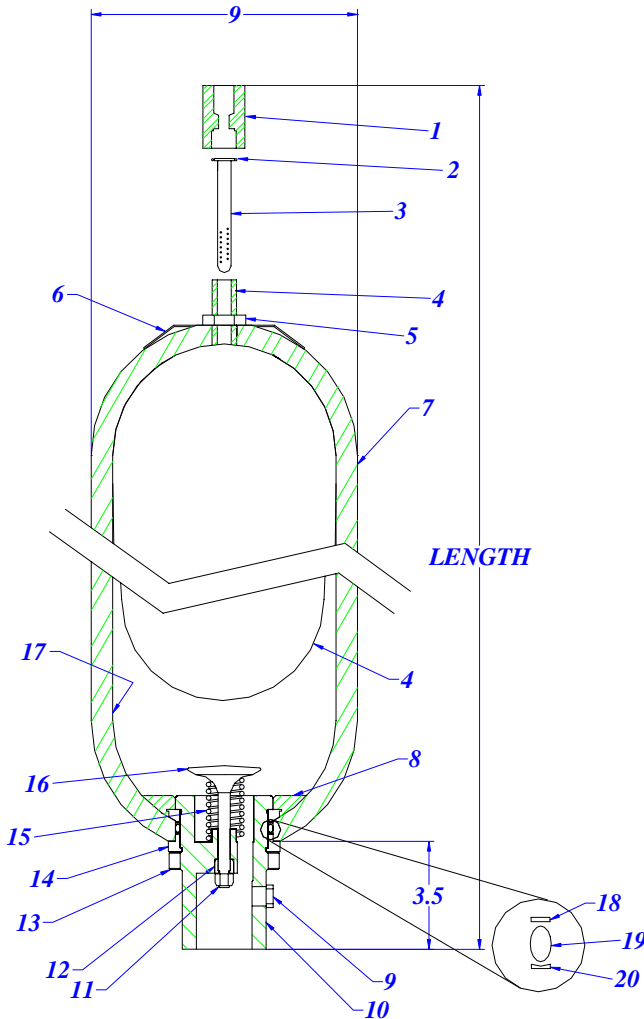
Coupler Options

Coupler Type	Designation
3/8" NPT	-A
1/2" NPT	-B
3/4" NPT	-C
1" NPT	-D
1 1/4" NPT	-E
3-Way 1/2" NPT	-F
1/4" NPT	-G
1/2"-20 SAE	-H
3/8" x 3/8" x 1/2" NPT	-I
1/8" NPT	-J
Other	Call

Oil Port Options

Fluid Port Type	Designation
1 1/4" NPT Female	None
Metric Female	-2
1 3/8"-12 SAE Female	-3
Code 61, 1 1/2" SAE Split Flange	-4
BSP Female	-7
Other	Call
Special Materials	Call

2.5-15 Gallon 3000 psi Transfer Barrier Accumulator



List of Component Parts		Alternate Service ¹		
Description	Part Number (OS)	WS	SS	XS
1	Transfer Barrier Coupler ²	AI-TB-321-C		
2	Transfer Barrier O-Ring	AI-TB-310		
3	TB Tube 2.5-5 Gal., 10-15 Gal.	AI-TB-320-A, -B		
4	Bladder Kit ³			
	Buna-Nitrile	AI-1-TB-3KT	-SS	-SS
	Butyl	AI-1-TB-3KT-B	-SS	-SS
	EPR	AI-1-TB-3KT-E	-SS	-SS
	Fluorocarbon	AI-1-TB-3KT-V	-SS	-SS
	Hydrin	AI-1-TB-3KT-H	-SS	-SS
	Low Temp Buna	AI-1-TB-3KT-L	-SS	-SS
5	Hex Jam Nut	AI-S-305	-SS	-SS
6	Name Plate	AI-1-413		
7	Caution Label	AI-S-421		
8	Anti-Extrusion Ring			
	Buna-Nitrile	AI-1-407	-WS	-WS
	EPDM	AI-1-407-E	-WS	-WS
	Fluorocarbon	AI-1-407-V	-WS	-WS
9	Bleed Plug NPT, SAE	AI-S-418, AI-S-419	-SS	-SS
10	Oil Port ⁴	AI-1-402	-WS	-SS
11	Stop Nut	AI-1-408	-SS	-SS
12	Piston	AI-1-405	-SS	-SS
13	Locknut	AI-1-403	-WS	-SS
14	Spacer	AI-1-406	-WS	-SS
15	Spring	AI-1-409	-SS	-SS
16	Poppet	AI-1-404	-SS	-SS
17	Shell (3000 psi)	Not for Sale		
18	Metal Back-Up Ring	AI-1-412	-SS	-SS
	O-Ring			
	Buna-Nitrile	AI-1-410		
	EPDM	AI-1-410-E		
19	Fluorocarbon	AI-1-410-V		
	Rubber Back-Up Ring	AI-1-411		

Dimensions ⁵		
Part Number	Length	Weights
A2.5TB3100	21"	78 lbs
A5TB3100	33"	118 lbs
A10TB3100	54"	214 lbs
A11TB3100	60"	232 lbs
A15TB3100	78"	298 lbs

Standard Configuration

SA 372 Chrome-moly Steel Shell
 C-1018 and 4130 or 4140 Components
 1/2" NPT Coupler
 2" NPT Female Fluid Port
 Buna-Nitrile Rubber Components

Optional Configuration (at extra cost)

Resin Coatings, Internal (WS)
 Electroless Nickel Plating, Internal & External (SS)
 Resin Coating - ID, 3 Part Marine Epoxy Paint - OD (XS)
 Stainless Steel Components
 Foreign and Domestic Codes
 Call Factory for Other Options

Coupler Options	
Coupler Type	Designation
3/8" NPT	-A
1/2" NPT	-B
3/4" NPT	-C
3-Way 1/2" NPT	-F
1/4" NPT	-G
1/2"-20 SAE	-H
3/8" x 3/8" x 1/2" NPT	-I
1/8" NPT	-J
Other	Call

Oil Port Options	
Fluid Port Type	Designation
1 1/4" NPT Female	None
Metric Female	-2
1 7/8"-12 SAE Female	-3
Code 61, 2" SAE Split Flange	-4
BSP Female	-7
Other	Call
Special Materials	Call

¹ OS-Oil Service, WS- Water Service, SS-Special Service, XS-Extreme Service
² See Coupler Options for options
³ Bladder kit consists of the following parts: 4, 17, 18, and 19
⁴ See Oil Port Configuration for options
⁵ Nominal dimensions. Manufacturing variations will occur. Allow +/- .2"