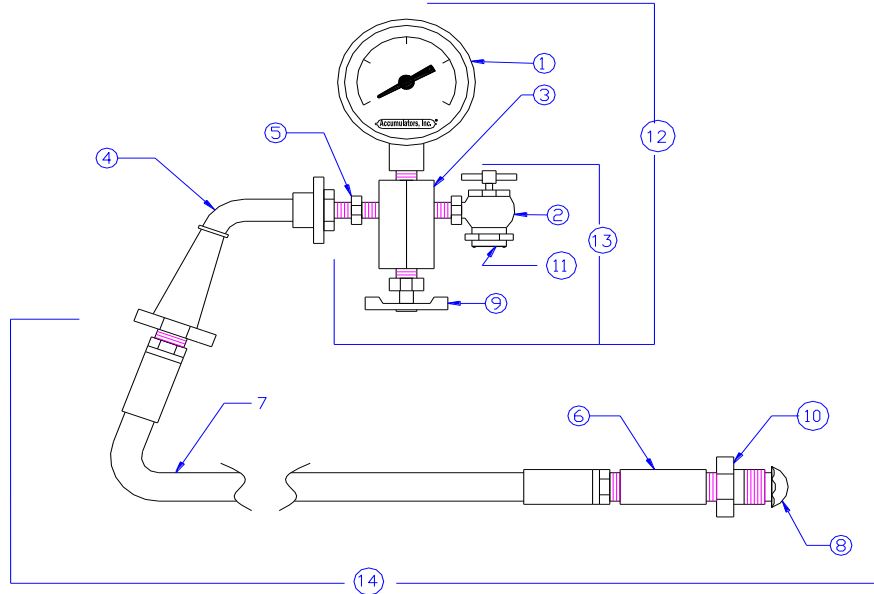


**Charging and Gauging Kits for 3000 psi Accumulators**  
 AI-CG3-3KT-SS (3000 psig gauge) and AI-CG3-6KT-SS (6000 psig gauge)



AI-CG3-3KT-SS



AI-CG3-6KT-SS

**Sold only in Kit Form: See Page 34 for Kit Components**

List of Component Parts		
	Description	Part Number
1	3000 psi Gauge	AI-CG3-001
	6000 psi Gauge	AI-CG6-001-SS
2	Air Chuck	AI-CG-002
3	Adapter Block	AI-CG-003
4	Swivel Connector	AI-CG-004
5	Tank Valve	AI-CG-005
6	Coupler	AI-CG-006
7	Hose	AI-CG-007-SS
8	Gland (Nipple)	AI-CG-008
9	Bleed Valve	AI-CG-009
10	Nut	AI-CG-011
11	Copper Washer	AI-CG-020
12	<b>Gauging &amp; Head Assembly, 3000 psi Gauge</b>	<b>AI-CG3-013</b>
	<b>Gauging &amp; Head Assembly, 6000 psi Gauge</b>	<b>AI-CG6-013</b>
13	Head Assembly, 3000 psi Gauge	AI-CG3-014
	Head Assembly, 6000 psi Gauge	AI-CG6-014
14	<b>Hose Assembly</b>	<b>AI-CG-017-SS</b>
	Valve Core (internal)	AI-S-304

Kit with 3000 psi Gauge	AI-CG3-3KIT-SS
Kit with 6000 psi Gauge	AI-CG3-6KIT-SS

See Page 37 for Kit Components

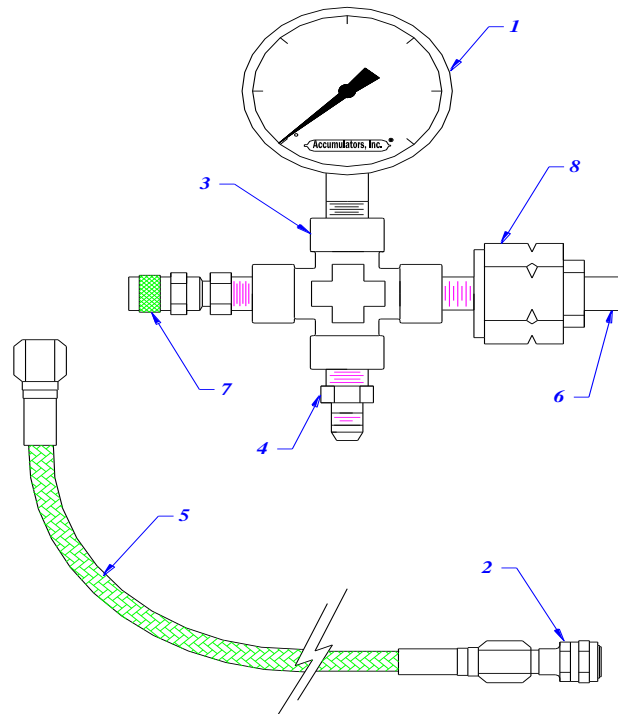
**Charging and Gauging Kits consist of a Hose Assembly, Gauging & Head Assembly, TR adapter, (AI-TR-015) and case (AI-519).**

**Also Available:**

- Complete Accumulator Repair Kits;
- N2 Gas Regulators;
- Special Order C&G Kits with different connections and Different hose lengths.

**WARNING! AI-CG3-3KIT-SS and AI-CG3-6KIT-SS Kits are rated for a MAWP Accumulator of 3000 psi. The 6000 psig Gauge is for indication only. Do not use either one on a higher pressure accumulator.**

**Charging and Gauging Kit for 3000psi to 6000 psi Accumulators**



**AI-CG6-6KIT-SS**

**Also Sold in Kit Form: See Page 34 for Kit Components**

**Full Assembly**

List of Component Parts		
	Description	Part Number
	Complete Kit	AI-CG6-6KIT-SS
1	Gauge, 6000 psi	AI-CG6-501-SS
2	Air Chuck	AI-CG6-502-SS
3	Cross, SS	AI-CG6-503-SS
4	J.I.C. Adapter	AI-CG6-506-SS
5	Hose, 8 ft.	AI-CG6-507-SS
6	Cylinder Valve Tube	AI-CG6-508-SS
7	Bleed Valve	AI-CG6-509-SS
8	Cylinder Valve Nut	AI-CG6-511-SS

**Hose Assembly**

List of Component Parts		
	Description	Part Number
	Head Assembly	AI-CG6-517-SS
4	J.I.C. Adapter	AI-CG6-506-SS
5	Hose, 8 ft.	AI-CG6-507-SS
7	Air Chuck	AI-CG6-502-SS

All materials stainless steel.

**Also Available:** \*Complete Accumulator Repair Kits; \*N2 Gas Regulators; \*Special Order C&G Kits with different connections and Different hose lengths

**Gauging & Head Assembly**

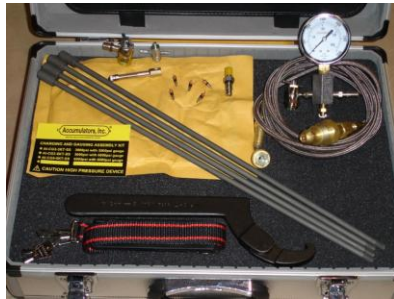
List of Component Parts		
	Description	Part Number
	Gauging & Head Ass'y	AI-CG6-513-SS
1	Gauge, 6000 psi	AI-CG6-501-SS
3	Cross, SS	AI-CG6-503-SS
4	J.I.C. Adapter	AI-CG6-506-SS
6	Cylinder Valve Tube	AI-CG6-508-SS
7	Bleed Valve	AI-CG6-509-SS
8	Cylinder Valve Nut	AI-CG6-511-SS

**Charging and Gauging Kits consist of a Hose Assembly, Gauging & Head Assembly, TR adapter, (AI-TR-015) and case (AI-519).**

## Accumulator Accessory Kits

### For Charging & Gauging, Maintenance, Repair

**AI-TKIT. Complete 3000 psi Maintenance Kit with 3000 psi gauge.**  
Everything you need to precharge, maintain and repair any 3000 psi accumulator. Includes spare parts



Part No.	Description	Qty.
AI-TR-015	Gas Valve Extension	1
AI-501	Bladder Pull Rod	4
AI-505	Spanner Wrench	1
AI-506	Valve Core Tool 4-way	1
AI-516	Aluminum Tool Case	1
AI-CG-002	Air Chuck	1
AI-GT3-309-KIT	Gas Valve Std SS	1
AI-S-304	Valve Core	5
AI-CG3-000-SS	C&G Assembly 3k psi	1
AI-CG-421	C&G Kit Info Label	1

**AI-TKIT-6. Complete 6000 psi Maintenance Kit with 6000 psi gauge**  
Everything you need to precharge, maintain and repair any 6000 psi accumulator.



Part No.	Description	Qty.
AI-501	Bladder Pull Rod	4
AI-505	Spanner Wrench	1
AI-516	Aluminum Tool Case	1
AI-S6-309	High Pressure Gas Valve 6k psi	1
AI-CG6-550-SS	C&G Assembly 6k psi	1
AI-CG-421	C&G Kit Info Label	1

**AI-TKIT1. Deluxe Maintenance Kit, 3000 psi & 6000 psi**  
Everything you need to precharge, maintain and repair any 3000 psi or 6000 psi accumulator



Part No.	Description	Qty.
AI-TR-015	Gas Valve Extension	1
AI-501	Bladder Pull Rod	4
AI-505	Spanner Wrench	2
AI-506	Valve Core Tool 4-way	1
AI-516	Aluminum Tool Case	1
AI-CG-002	Air Chuck	1
AI-GT3-309-KIT	Gas Valve GT Std SS	2
AI-S-304	Valve Core	5
AI-GT3-311	GT Gas Valve O-ring	5
AI-CG3-000-SS	C&G Assembly 3k psi	1
AI-S6-309	High Pressure Gas Valve 6k	1
AI-CG6-550-SS	C&G Assembly 6k psi	1
AI-511	Accumulator Lifting Hook Assembly	1
AI-515	Gas Valve Tool TR	2
AI-CG-421	C&G Kit Info Label	1

**AI-TKITB. Economy Maintenance 3000 psi Kit with 3000 psi gauge**  
Everything you need to precharge, maintain and repair any 3000 psi accumulator



Part No.	Description	Qty.
AI-TR-015	Gas Valve Extension	1
AI-501	Bladder Pull Rod	4
AI-505	Spanner Wrench	1
AI-506	Valve Core Tool 4-way	1
AI-519	19" Tool Case	1
AI-CG3-000-SS	C&G Assembly 3k psi	1
AI-CG-421	C&G Kit Info Label	1

**AI-CG3-3KT-SS. Charging & Gauging 3000 psi Kit with 3000 psi gauge**  
Everything you need to precharge any 3000 psi accumulator



Part No.	Description	Qty.
AI-TR-015	Gas Valve Extension	1
AI-517	C&G Case	1
AI-CG6-000-SS	C&G Assembly 3k psi with 6KSI Gauge	1
AI-CG-421	C&G Kit Info Label	1

**AI-CG3-6KT-SS. Charging & Gauging 3000 psi Kit with 6000 psi gauge**  
Everything you need to precharge any 3000 psi accumulator



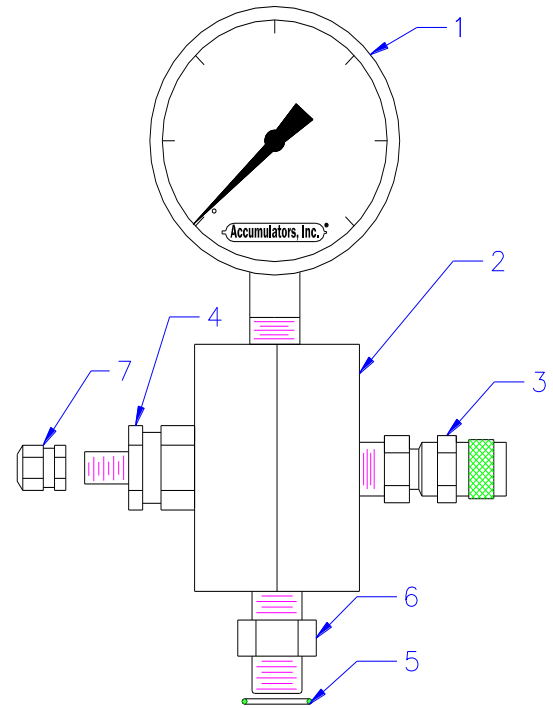
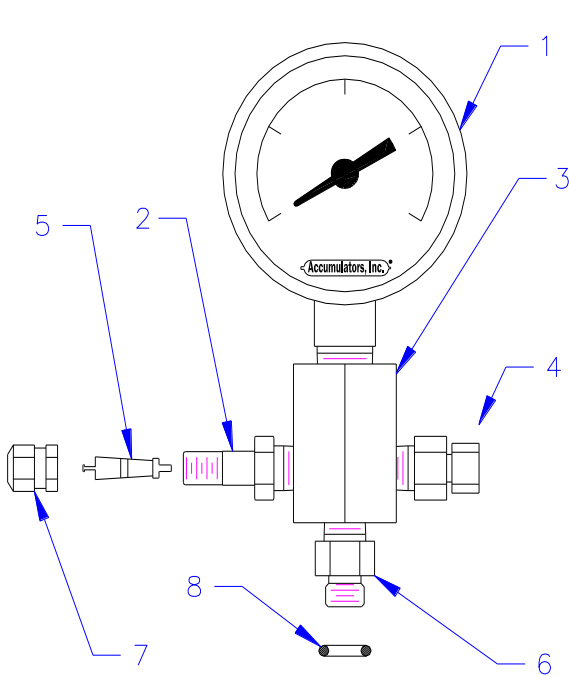
Part No.	Description	Qty.
AI-TR-015	Gas Valve Extension	1
AI-517	C&G Case	1
AI-CG3-000-SS	C&G Assembly 3k psi	1
AI-CG-421	C&G Kit Info Label	1

**AI-CG6-6KT-SS. Charging & Gauging 6000 psi Kit with 6000 psi gauge**  
Everything you need to precharge any 6000 psi accumulator



Part No.	Description	Qty.
AI-520	16" C&G Case	1
AI-CG6-550-SS	C&G Assembly 6k psi	1
AI-CG-421	C&G Kit Info Label	1

## Permanent Mount Pressure Monitor



**3000 psi Permanent Mount Pressure Monitor**  
 AI-PM3-000

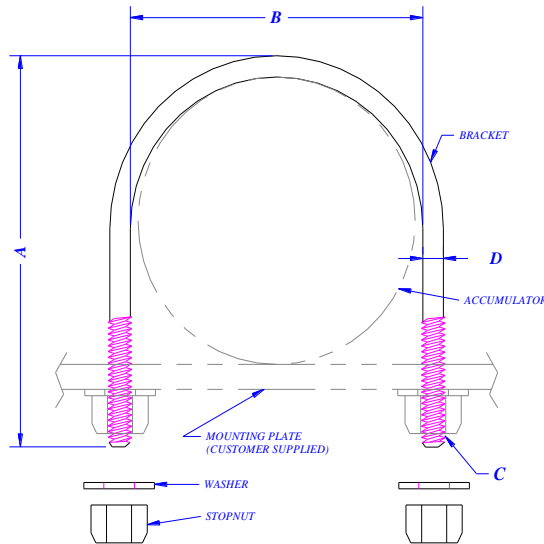
List of Component Parts		
	Description	Part Number
1	Gauge, 3000 psig Standard	AI-CG3-001
	Gauge, 3000 psig Liquid Filled	AI-CG3-001-L
	Gauge, 3000 psig Digital <b>NEW</b>	AI-CG3-001-D
2	Tank Valve	AI-CG-005
3	Pressure Monitor Block	AI-PM3-003
4	Bleed Valve	AI-PM3-009
5	Valve Core	AI-S-304
6	Pressure Monitor Bushing	AI-PM3-033
7	Valve Cap	AI-S-303
8	O-Ring	AI-GT3-311

**6000 psi Permanent Mount Pressure Monitor**  
 AI-PM6-000-SS

List of Component Parts		
	Description	Part Number
1	Gauge, 6000 psig Standard	AI-CG6-501-SS
	Gauge, 6000 psig Liquid Filled	AI-CG6-501-SS-L
	Gauge, 6000 psig Digital <b>NEW</b>	AI-CG6-501-D-SS
2	Cross, SS	AI-CG6-503-SS
3	Bleed Valve	AI-CG6-509-SS
4	High Pressure Gas Valve	AI-S6-309
5	O-Ring	AI-S6-310
6	Pressure Monitor Bushing	AI-PM6-033-SS
7	Valve Cap	AI-S-303

**Note:** These units are intended to be mounted permanently on the valve stem of the accumulator to monitor hydraulic system pressure. Nitrogen pre-charge may only be measured when hydraulic line pressure is zero (0) psig.

## Mounting Hardware: U-Bolt Kits



Description	Part Number Standard (Carbon Steel)	Part Number Rubber Coated <b>NEW</b>	Part Number Stainless Steel	Part Number Rubber Coated SS <b>NEW</b>	Part Number Teflon Coated	U-Bolts per Kit	A in.	B in.	C in.	D in.
1 Qt, 3000 & 5000	AI-1QT-507-KIT	AI-1QT-507-KIT-RUB	AI-1QT-507-KIT-SS	AI-1QT-507-KIT-SS-RUB	AI-1QT-507-KIT-T	1	6	4.5	2 x <sup>3</sup> / <sub>8</sub> -16 UN	0.3
1 Quart Washer	AI-1QT-509	AI-1QT-509	AI-1QT-509-SS	AI-1QT-509-SS	AI-1QT-509-T					
1 Quart Stop Nut	AI-1QT-508	AI-1QT-508	AI-1QT-508-SS	AI-1QT-508-SS	AI-1QT-508-T				<sup>3</sup> / <sub>8</sub> -16 UN	
1 Gallon, 3000 psi	AI-1-507-KIT	AI-1-507-KIT-RUB	AI-1-507-KIT-SS	AI-1-507-KIT-SS-RUB	AI-1-507-KIT-T	1	10	6.8	3 x <sup>1</sup> / <sub>2</sub> -13 UN	0.5
2 1/2 Gallon, 3000 psi	AI-2.5-507-KIT	AI-2.5-507-KIT-RUB	AI-2.5-507-KIT-SS	AI-2.5-507-KIT-SS-RUB	AI-2.5-507-KIT-T	1	12.3	9.4	3.5 x <sup>1</sup> / <sub>2</sub> -13 UN	0.5
5-15 Gallon, 3000 psi	AI-507-KIT	AI-507-KIT-RUB	AI-507-KIT-SS	AI-507-KIT-SS-RUB	AI-507-KIT-T	2	12.3	9.4	3.5 x <sup>1</sup> / <sub>2</sub> -13 UN	0.5
1 Gallon, 6000 psi	AI-1-6-507-KIT	AI-1-6-507-KIT-RUB	AI-1-6-507-KIT-SS	AI-1-6-507-KIT-SS-RUB	AI-1-6-507-KIT-T	1	10.6	7.3	3 x <sup>1</sup> / <sub>2</sub> -13 UN	0.5
2 1/2 Gallon, 6000 psi	AI-2.5-6-507-KIT	AI-2.5-6-507-KIT-RUB	AI-2.5-6-507-KIT-SS	AI-2.5-6-507-KIT-SS-RUB	AI-2.5-6-507-KIT-T	1	13	10	3.5 x <sup>1</sup> / <sub>2</sub> -13 UN	0.5
5-15 Gallon, 6000 psi	AI-S6-507-KIT	AI-S6-507-KIT-RUB	AI-S6-507-KIT-SS	AI-S6-507-KIT-SS-RUB	AI-S6-507-KIT-T	2	13	10	3.5 x <sup>1</sup> / <sub>2</sub> -13 UN	0.5
1-15 Gal. Washer	AI-509	AI-509	AI-509-SS	AI-509-SS	AI-509-T					
1-15 Gal. Stop Nut	AI-508	AI-508	AI-508-SS	AI-508-SS	AI-508-T				<sup>1</sup> / <sub>2</sub> -13 UN	

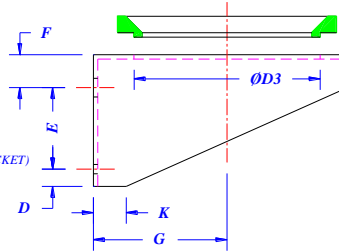
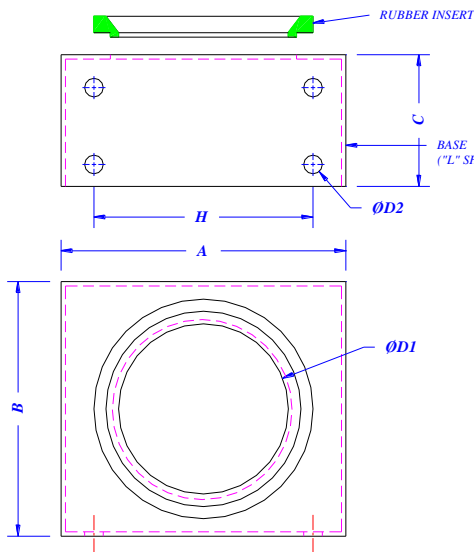
Note: All mounting U-Bolts are sold in kit form with the appropriate elastic stop nuts and washers. All standard units are zinc plated carbon steel. Rubber Coated units are Carbon or Stainless Steel, shrunk-fit with Buna-Nitrile rubber. DuPont™ Teflon® coated units are carbon steel with *teflon* spray coating. Consult the factory for details.

**OTHER CUSTOM DESIGNS, SIZES AND COATINGS ARE AVAILABLE. Contact Sales Dept. for details**

*Dimensions are nominal and may vary due to manufacturing tolerances.*

It is recommended that you have the bolt on-hand when drilling mounting plate

## Mounting Hardware: Bases (“L” Shaped Bracket)



Dimensions in inches

Description	Part Number	A	B	C	D	D1	D2	D3	E	F	G	H
1 Quart 3000 & 5000 psi Base	AI-1QT-512	7.9	6.9	3.5	0.7	4.3	0.4	4.7	1.6	1.2	3.7	5.5
1 Quart Stainless Steel Base	AI-1QT-512-SS	7.9	6.9	3.5	0.7	4.3	0.4	4.7	1.6	1.2	3.7	5.5
1 Gallon 3000 & 6000 psi Base	AI-1-512	10.2	8.9	3.9	1.0	4.3	0.7	4.7	1.6	1.4	3.6	7.9
1 Gallon Stainless Steel Base	AI-1-512-SS	10.2	8.9	3.9	1.0	4.3	0.7	4.7	1.6	1.4	3.6	7.9
1 QT and 1 G Rubber Insert Replacement	AI-1QT-513					4.3		4.7				
2 1/2-15 Gallon 3000 psi Base	AI-S-512	10.2	8.9	3.9	1.0	6.3	0.7	6.7	1.6	1.4	4.8	7.9
2 1/2-15 Gallon 3000 Stainless Steel Base	AI-S-512-SS	10.2	8.9	3.9	1.0	6.3	0.7	6.7	1.6	1.4	4.8	7.9
2 1/2-15 Gallon 6000 psi Base	AI-S6-512	10.2	9.4	3.9	1.0	7.9	0.7	6.7	1.6	1.4	5.3	7.9
2 1/2-15 Gallon 6000 Stainless Steel Base	AI-S6-512-SS	10.2	9.4	3.9	1.0	7.9	0.7	6.7	1.6	1.4	5.3	7.9
2 1/2-15 Gallon Rubber Insert Replacement	AI-S-513					6.3		4.7				

Note: All mounting bases are sold in kit form and include the rubber insert. Mounting bolts are not included. Mounting collars sold separately. Replacement rubber inserts may be purchased separately. Standard Mounting bases are zinc plated carbon steel. Stainless steel units are 300 series stainless.

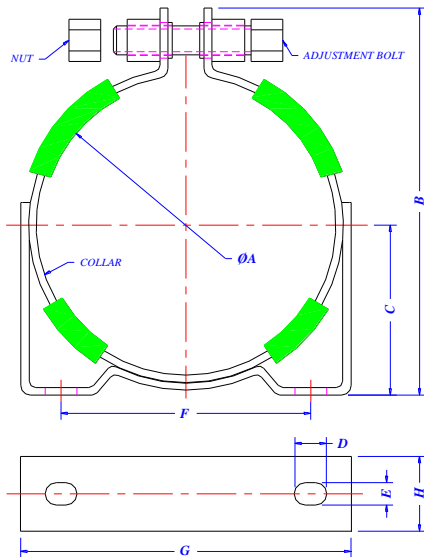
*Dimensions are nominal and may vary due to manufacturing tolerances.*

**Cathodic Isolation:** These rubber lined bases can be used in conjunction with our rubber lined Mounting Collars for the complete electrical isolation of the accumulator

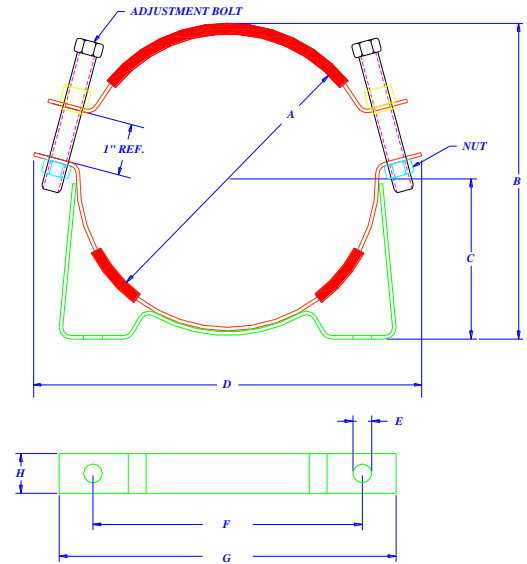
## Mounting Hardware: Collars

(Clamp)

**1 Quart and 1 Gallon**  
 Fig. 1



**2.5-15 Gallon**  
 Fig. 2



Dimensions in inches

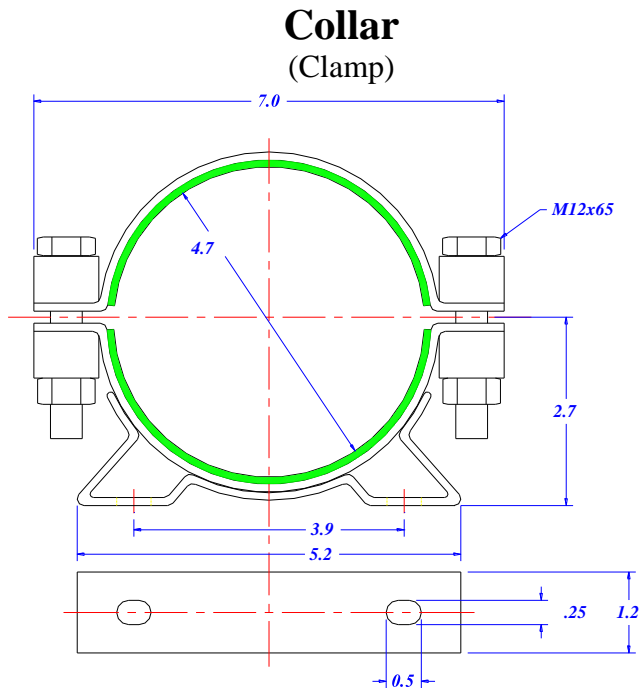
Description	Fig	Part Number Zinc Plated	Part Number Stainless <i>NEW</i>	A	B	C	D	E	F	G	H
1 Quart Collar, 3000 & 5000 psi	1	AI-1QT-511	AI-1QT-511-SS	4.7	6.6	2.7	0.5	0.4	3.9	5.6	1.2
1 Gallon Collar, 3000 psi	1	AI-1-511	AI-1-511-SS	6.9	8.8	3.9	0.5	0.4	6.3	7.6	1.3
1 Gallon Collar, 6000 psi	1	AI-1-6-511	AI-1-6-511-SS	7.3	9.8	4.3	0.5	0.4	6.3	8.4	1.3
2.5-15 Gallon Collar, 3000 psi	2	AI-S-511	AI-S-511-SS	8.9	9.6	4.7	12.8	0.6	8.5	10.6	1.3
2.5-15 Gallon Collar, 6000 psi	2	AI-S6-511	AI-S6-511-SS	9.5	10.3	5.3	13	0.6	8.5	10.6	1.3

**Note:** Mounting collars are sold in kit form, including the appropriate adjustment bolts and rubber cushions. Mounting bolts are not included. Standard Collars are plated with zinc. Stainless Steel collars are 300 series stainless. Mounting bases sold separately.

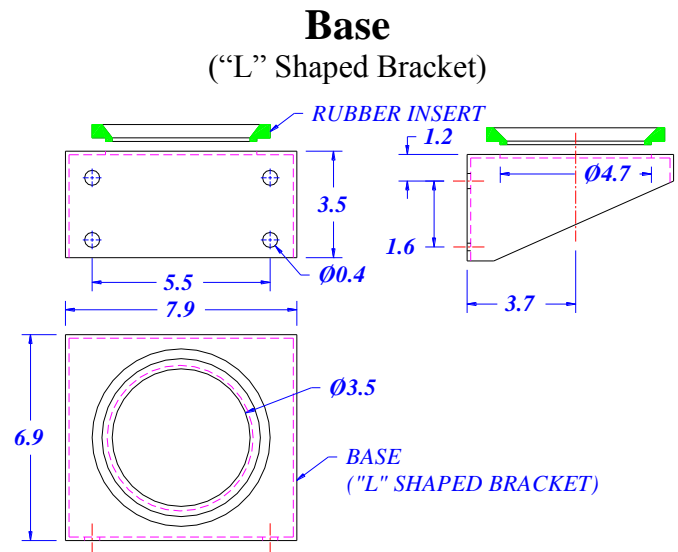
Call factory for other special order options.

*Dimensions are nominal and may vary due to manufacturing tolerances.*

## Mounting Brackets: Collars and Bases for AccuMight®



Description	Part Number
90-150 ci AccuMight Collar	AM-511
30 ci AccuMight Collar	AM-514
20 ci AccuMight Collar	AM-516
6 ci AccuMight Collar	AM-515



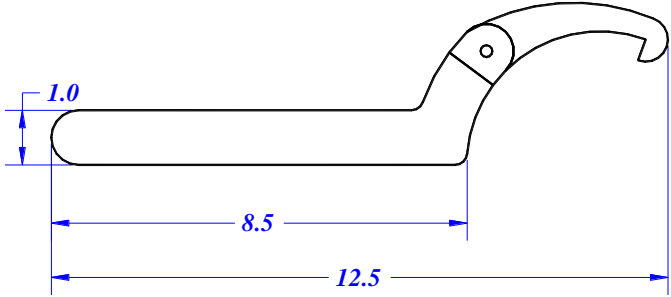
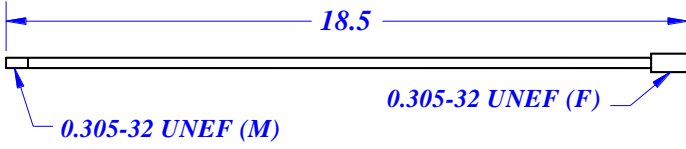
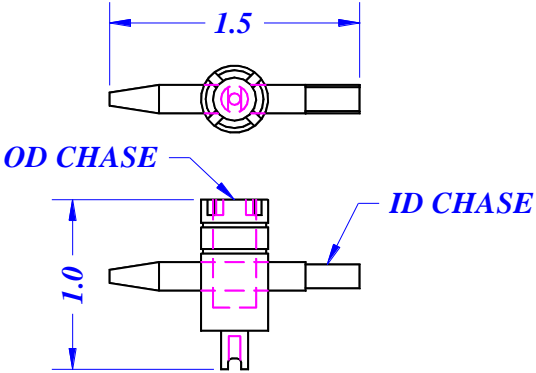
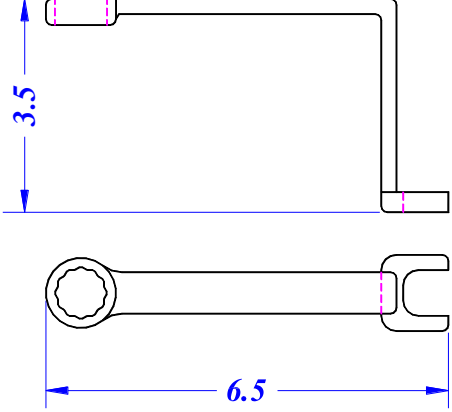
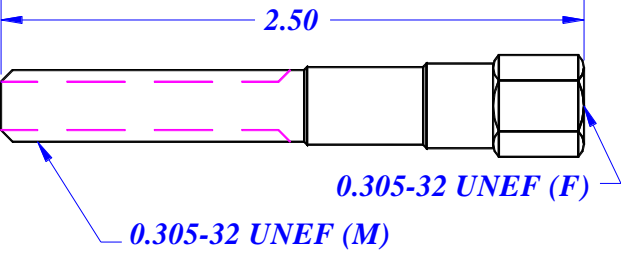
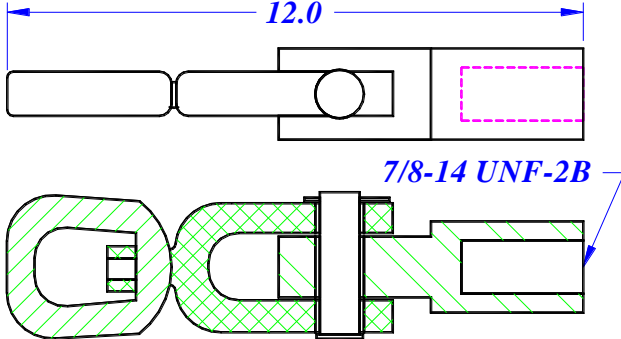
Description	Part Number
30-150 ci AccuMight Base	AM-512
Rubber Insert for AccuMight Base	AM-513

**Note:** AccuMight collars are sold in kit form with the appropriate adjustment bolts and rubber cushions. AccuMight bases are sold in kit form and include the rubber insert. Mounting bolts are not included. Replacement rubber inserts may be purchased separately. Collar and bases sold separately. Collars and bases are zinc plated.

Call factory for other special order options including stainless.

*Dimensions may vary due to manufacturing tolerances.*

## Accumulator Repair Tools

Bladder Pull Rod			Spanner Wrench	
Part Number	For Sizes	Description	Part Number: AI-505	
AI-501	1qt-2.5 Gallon	1 pc kit		
AI-502	5 Gallon	2 pc kit		
AI-503	10-11 Gallon	3 pc kit		
AI-504	15 Gallon	4 pc kit		
				
<b>Valve Core Tool</b> Part Number: AI-506			<b>TR6 Gas Valve Tool</b> Part Number: AI-515 (2 pc set)	
				
<b>Gas Valve Extension, 3K</b> Part Number: AI-TR-015			<b>Accumulator Lifting Hook Assembly</b> Part Number: AI-511	
				

**Most of these parts are available in one of our  
 Accumulator Accessory Kits.**

**See the Accumulator Accessories Section. Page 31**