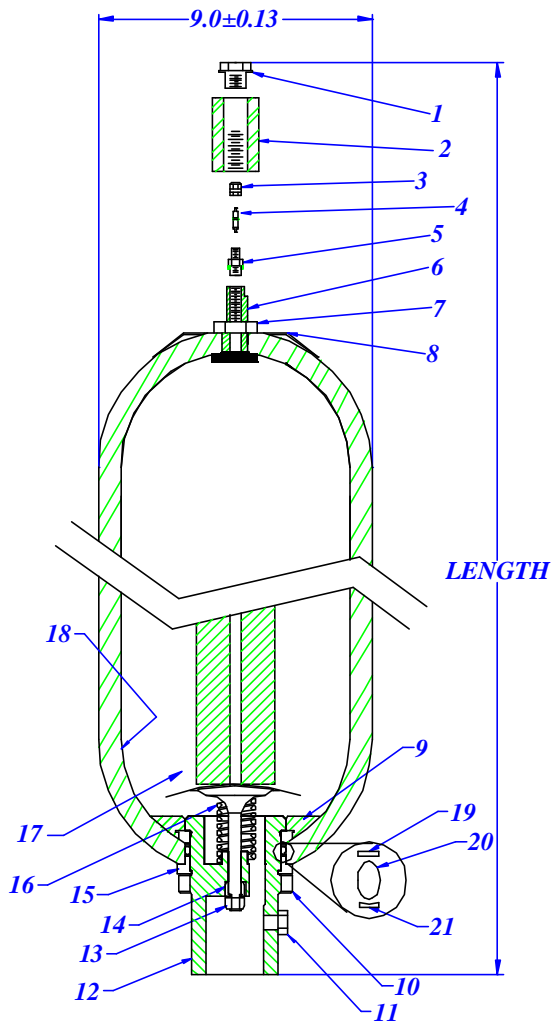


10, 11, and 15 Gallon 3000 psi Patented Float Accumulators



List of Component Parts		Alternate Service ¹			
Description	Part Number (OS)	WS	SS	XS	
1	Safety Cap	AI-S-308		N/A ²	N/A ²
1	Safety Cap O-Ring	AI-S-309			
2	Protective Cap	AI-306	-SS	-4SS	-4SS
3	Valve Cap	AI-S-303			
4	Valve Core	AI-S-304			
5	GT Gas Valve	AI-GT3-309			
5	Gas Valve O-Ring	AI-GT3-310			
6	Rubber Coated Valve Stem	AI-R3-302		-SS	-SS
7	Hex Jam Nut	AI-S-305			
8	Name Plate	AI-S-413			
9	Anti-Extrusion Ring				
	Buna-Nitrile	AI-S-407	-WS	-WS	-WS
	EPDM	AI-S-407-E	-WS	-WS	-WS
	Fluorocarbon	AI-S-407-V	-WS	-WS	-WS
10	Locknut	AI-S-403	-WS	-SS	-SS
11	Bleed Plug				
	¹ / ₄ " NPT	AI-S-418	-SS	-SS	-SS
	¹ / ₁₆ "-20 SAE	AI-S-419	-SS	-SS	-SS
12	Oil Port ³	AI-S3-402	-WS	-SS	-SS
13	Stop Nut	AI-S-408	-SS	-SS	-SS
14	Piston	AI-S-405	-SS	-SS	-SS
15	Spacer	AI-S3-406	-WS	-SS	-SS
16	Spring	AI-S3-409	-SS	-SS	-SS
17	Poppet Assembly	AI-S-421	-SS	-SS	-SS
18	Shell (3000 psi)	Not for Sale	N/A	N/A	N/A
19	Metal Back-Up Ring	AI-S-412	-SS	-SS	-SS
20	O-Ring				
	Buna-Nitrile	AI-S-410			
	EPDM	AI-S-410-E			
	Fluorocarbon	AI-S-410-V			
21	Rubber Back-Up Ring	AI-S-411			

Standard Configuration

SA-372 Chrom-moly Steel Shell
 2 Piece Replaceable Gas Valve
 C-1018 and 4130 or 41040 parts
 2" NPT Female Fluid Port
 Buna-Nitrile Rubber Components

Optional Configuration (at extra cost)

AN Gas Valve
 Resin Coatings, Internal (WS)
 Electroless Nickel Plating, Internal & External (SS)
 Resin Coating – ID, 3 Part Marine Epoxy Paint – OD (XS)
 Stainless Steel Components
 Foreign and Domestic Codes
 Call Factory for Other Options

Dimensions ⁴		
Part Number	Length	Weight
A10F3100	54"	220 lbs
A11F3100	60"	232 lbs
A15F3100	78"	304 lbs

Oil Port Options	
Fluid Port Type	Designation
2" NPT Female	None
1 ¹ / ₄ " NPT Female	-1
Metric Female	-2
1 ¹ / ₈ "-12 SAE Female	-3
Code 61, 2" SAE 61 Split Flange	-4
Other	Call
Special Materials	Call

¹ OS-Oil Service, WS- Water Service, SS-Special Service
² Special service accumulator uses a solid protective cap
³ See Oil Port Options for configuration options
⁴ Nominal dimensions. Manufacturing variations will occur