

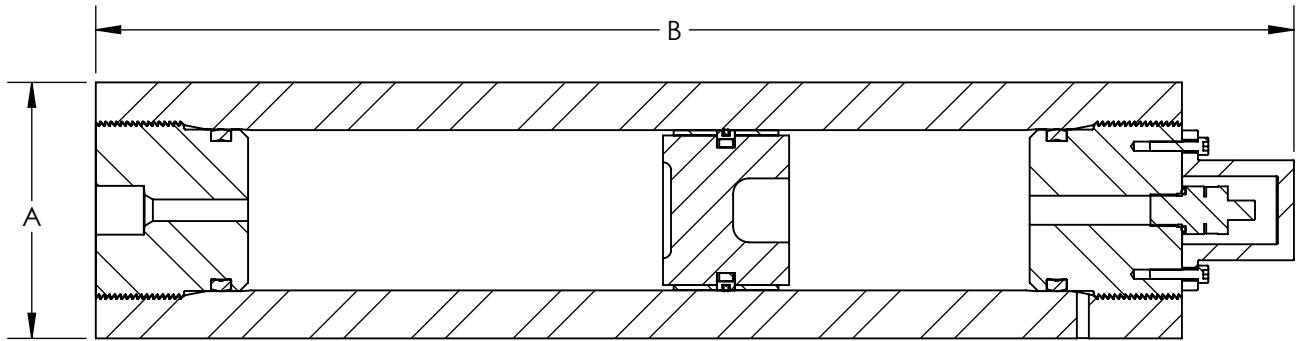


Houston, TX, USA

PROPRIETARY AND CONFIDENTIAL

This drawing and all information contained herein is the sole property of Accumulators, Inc. reproduction, manufacture, or use of the design is permissible only with the express written authorization of Accumulators, Inc.

2.50" BORE, 10000PSI PISTON ACCUMULATOR
MODEL PAXX101002.5B10G16F



MODEL NUMBER	GAS CAPACITY		FLUID CAPACITY		DRY WEIGHT		"A" OD		"B" OVERALL		FLUID CONNECTION
	IN ³	CM ³	IN ³	LITERS	LBS.	KG.	IN	MM.	IN	MM.	
PA.5PT101002.5B10G16F	15.9	261	15	0.25	30	13.6	4.0	102	11.50	292	9/16" MP
PA1PT101002.5B10G16F	30.9	506	30	0.49	37	16.8	4.0	102	14.50	368	9/16" MP
PA1QT101002.5B10G16F	62.6	1026	61.6	1.01	51	23.2	4.0	102	21.00	533	9/16" MP
PA2QT101002.5B10G16F	123	2016	122	2.00	78	35.5	4.0	102	33.50	851	9/16" MP
PA3QT101002.5B10G16F	188	3081	187	3.06	106	48.2	4.0	102	46.50	1181	9/16" MP
PA1101002.5B10G16F	247	4048	246	4.03	132	60	4.0	102	58.50	1486	9/16" MP

GENERAL SPECIFICATIONS:

MATERIAL: SHELL & CAPS: CARBON ALLOY STEEL; PISTON: CARBON STEEL

MAXIMUM WORKING PRESSURE: 10000 PSI (690 BAR)

HYDROSTATIC TEST PRESSURE: 15000 PSI (1035 BAR)

OPERATING TEMPERATURE (BUNA/NITRILE): -20° to 200°F (-28° to 93°C)

HNBR/PTFE SEALS STANDARD FOR PETROLEUM-BASED FLUIDS

SEALS AVAILABLE FOR OTHER FLUIDS UPON REQUEST