

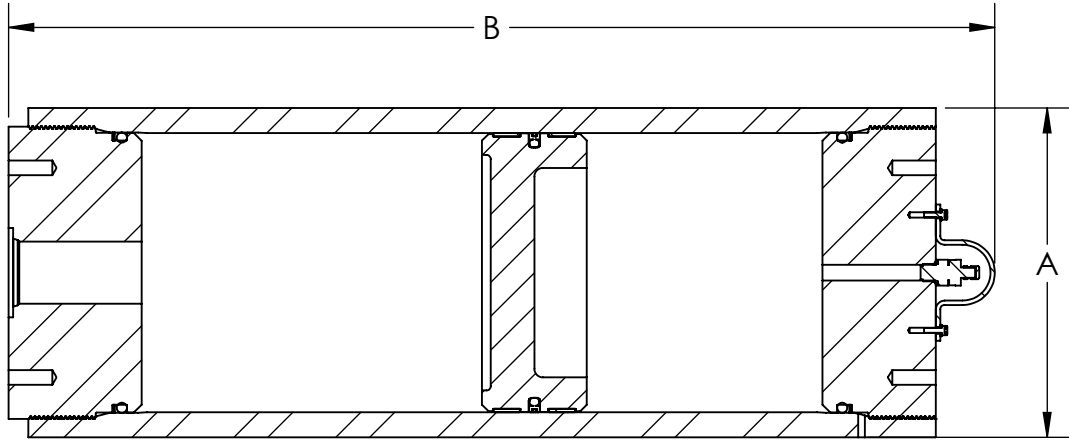


Houston, TX, USA

PROPRIETARY AND CONFIDENTIAL

This drawing and all information contained herein is the sole property of Accumulators, Inc. reproduction, manufacture, or use of the design is permissible only with the express written authorization of Accumulators, Inc.

8" BORE, 4000PSI PISTON ACCUMULATOR, ASME MODEL PXY41008B10G4F



| MODEL NUMBER | GAS CAPACITY | | FLUID CAPACITY | | DRY WEIGHT | | "A" NOM OD | | "B" OVERALL | | FLUID CONNECTION |
|------------------|-----------------|-----------------|-----------------|--------|------------|---------|------------|-----|-------------|------|------------------|
| | IN ³ | CM ³ | IN ³ | LITERS | LBS. | KG. | IN | MM. | IN | MM. | |
| PX541008B10G4F | 1272 | 20844 | 1231 | 20.2 | 300 | 136.364 | 9.44 | 240 | 36.0 | 914 | SAE #24 ORB |
| PX7.541008B10G4F | 1774 | 29071 | 1732 | 28.4 | 356 | 161.8 | 9.44 | 240 | 46.0 | 1168 | SAE #24 ORB |
| PX1041008B10G4F | 2305 | 37772 | 2263 | 37.1 | 416 | 189.1 | 9.44 | 240 | 56.5 | 1435 | SAE #24 ORB |
| PX1541008B10G4F | 3541 | 58027 | 3499 | 57.3 | 555 | 252.3 | 9.44 | 240 | 81.0 | 2057 | SAE #24 ORB |
| PX2041008B10G4F | 4673 | 76577 | 4631 | 75.9 | 681 | 309.5 | 9.44 | 240 | 103.5 | 2629 | SAE #24 ORB |
| PX2541008B10G4F | 5828 | 95504 | 5786 | 94.8 | 811 | 368.6 | 9.44 | 240 | 126.5 | 3213 | SAE #24 ORB |

GENERAL SPECIFICATIONS:

MATERIAL: SHELL: CHROME MOLY ALLOY STEEL; CAPS: DUPLEX SS; PISTON: ALUMINUM

MAXIMUM WORKING PRESSURE: 4000 PSI (276 BAR)

HYDROSTATIC TEST PRESSURE: 6000 PSI (414 BAR)

OPERATING TEMPERATURE (NBR/PTFE): -20° to 180°F (-28° to 93°C)

ALTERNATE SEALS AVAILABLE FOR LOW TEMP AND HIGH TEMP APPLICATIONS (DOWN TO -40°F (-40°C) AND UP TO 250°F (121°C))

ASME COMPLIANT PISTON ACCUMULATOR