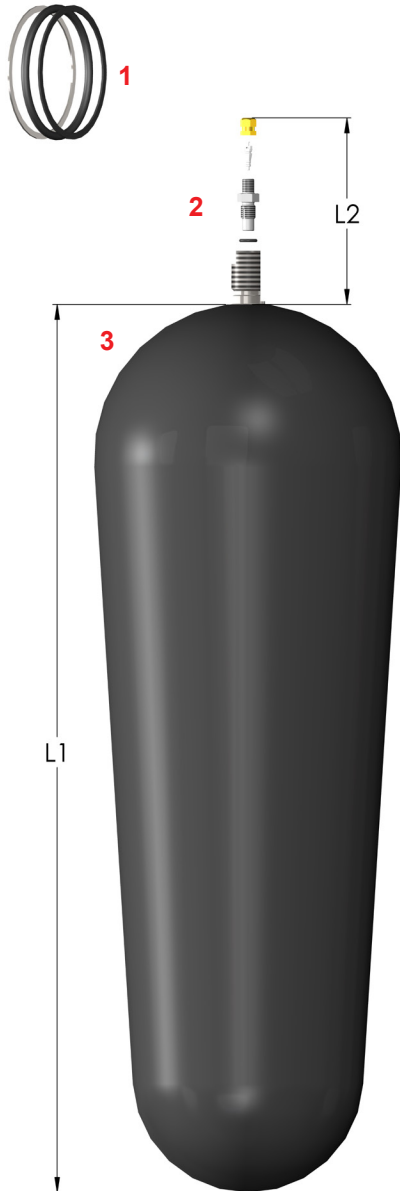


BLADDERS & BLADDER KITS

BLADDER ACCUMULATORS - PARTS



COMPONENT PARTS

- 1 Seal Rings
- 2 Gas Valve*
- 3 Bladder

*3000 PSI gas valve shown

3000 PSI BLADDER SPECIFICATIONS

SIZE (PART NO.)	L1 (IN)	L2 (IN)	STD. THREAD OD	WEIGHT (LBS)
1 Pint (AI-1PT-3KT)	5.25	1.7	5/8"-18 UNF	1
1 Quart (AI-1QT-3KT)	5.7	1.7	5/8"-18 UNF	1
150 CI (AI-150CI-3KT)	11	2.3	5/8"-18 UNF	1
1 Gallon (AI-1-3KT)	8	2.3	7/8"-14 UNF	1
1.5 Gallon (AI-1.5-3KT)	12.0	2.3	7/8"-14 UNF	1
2.5 Gallon (AI-2.5-3KT)	11.5	2.3	7/8"-14 UNF	2
5 Gallon (AI-5-3KT)	23	2.3	7/8"-14 UNF	4
10 Gallon (AI-10-3KT)	43.5	2.3	7/8"-14 UNF	6
11 Gallon (AI-11-3KT)	49.5	2.3	7/8"-14 UNF	7
15 Gallon (AI-15-3KT)	64	2.3	7/8"-14 UNF	8
40 Gallon (AI-40-3KT)	80	5	2"-12 UNF	25

5000 & 6000 PSI BLADDER SPECIFICATIONS

SIZE (PART NO.)	L1 (IN)	L2 (IN)	STD. THREAD OD	WEIGHT (LBS)
1 Quart (AI-1QT-5-3KT)	5.7	1.7	7/8"-14 UNF	1
1 Gallon (AI-1-6-3KT)	8	3.3	7/8"-14 UNF	1
2.5 Gallon (AI-2.5-6-3KT)	11.5	3.3	7/8"-14 UNF	2
5 Gallon (AI-5-6-3KT)	23	3.3	7/8"-14 UNF	4
10 Gallon (AI-10-6-3KT)	43.5	3.3	7/8"-14 UNF	6
15 Gallon (AI-15-6-3KT)	64	3.3	7/8"-14 UNF	8

10000 PSI BLADDER SPECIFICATIONS

SIZE (PART NO.)	L1 (IN)	L2 (IN)	STD. THREAD OD	WEIGHT (LBS)
2.5 Gallon (AI-2.5-10-3KT-SS)	11.5	5.2	2"-12 UNF	5
5 Gallon (AI-5-10-3KT-SS)	23	5.2	2"-12 UNF	7
10 Gallon (AI-10-10-3KT-SS)	43.5	5.2	2"-12 UNF	9
15 Gallon (AI-15-10-3KT-SS)	64	5.2	2"-12 UNF	11

GT TYPE 3000 & 5000 PSI BLADDER SPECIFICATIONS

SIZE (PART NO.)	L1 (IN)	L2 (IN)	STD. THREAD OD	WEIGHT (LBS)
2.5 Gallon (AI-2.5-GT5-3KT)	11.5	4.8	2"-12 UNF	6
5 Gallon (AI-5-GT5-3KT)	23	4.8	2"-12 UNF	8
10 Gallon (AI-10-GT5-3KT)	43.5	4.8	2"-12 UNF	10
15 Gallon (AI-15-GT5-3KT)	64	4.8	2"-12 UNF	12

For a list of available elastomers, see page 9.

ANTI-EXTRUSION RINGS*

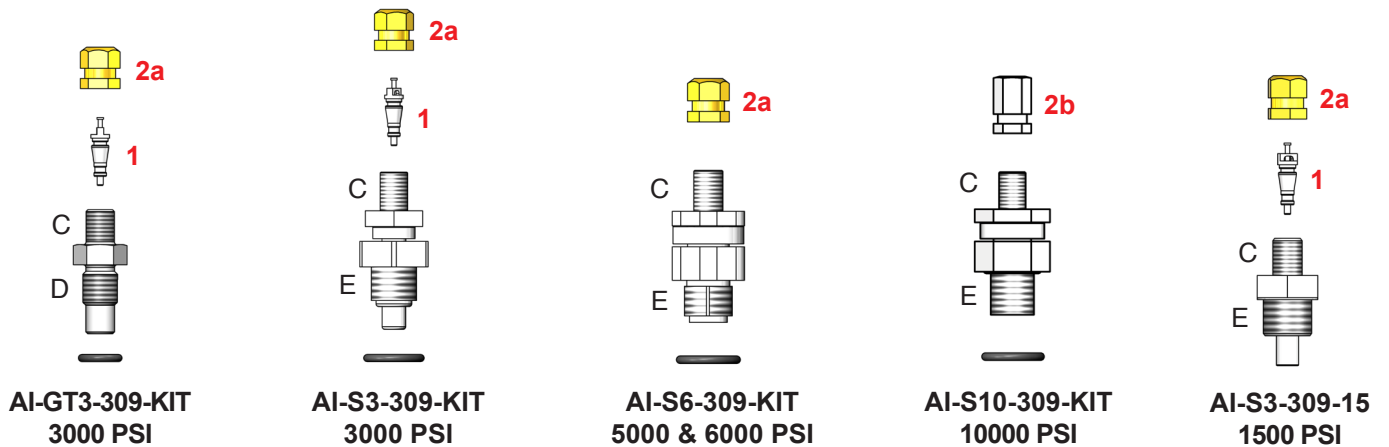
PART NUMBER	SIZE
AI-1PT-407	1 PT, 3000 PSI
AI-1QT-407	1 QT, 3000 & 5000 PSI
AI-1-407	1 & 1.5 GAL, 3000 & 6000 PSI
AI-S-407	2.5-15 GAL, 3000 & 6000 PSI
AI-S10-407	2.5-15 GAL, 10000 PSI

*Anti-Extrusion Rings are not included in bladder kits

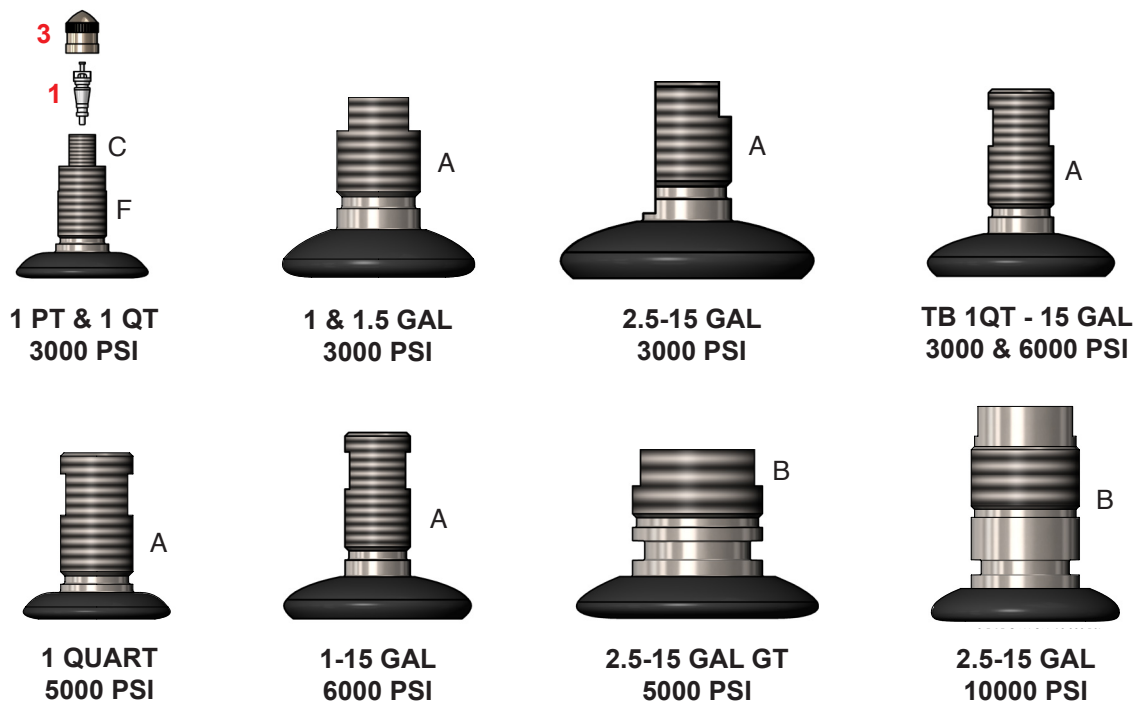
GAS VALVES & MOLDED BLADDER VALVE STEMS

BLADDER ACCUMULATORS - PARTS

GAS VALVES



MOLDED BLADDER VALVE STEMS



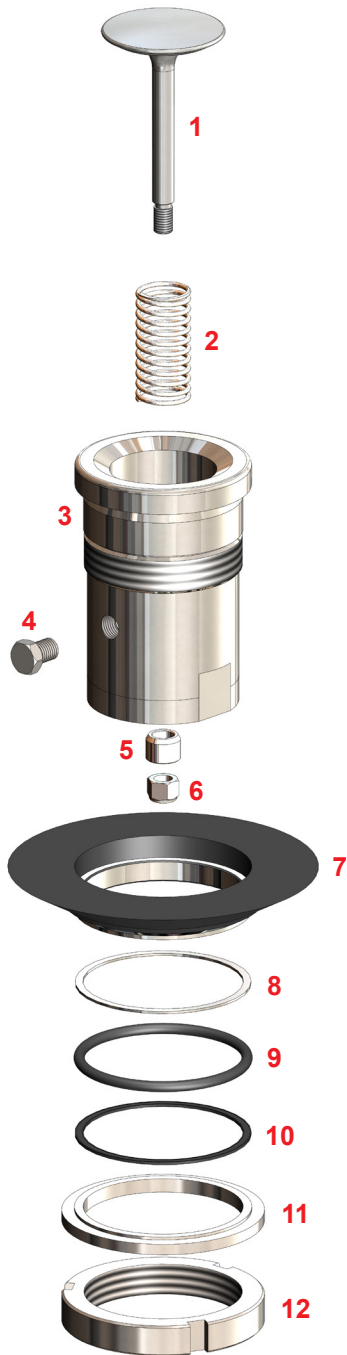
Other custom designs available, including European designs. Drawings are not shown to scale.

COMPONENT PARTS		
PART	DESCRIPTION	AI PART #
1	Valve core	AI-S-304
2a	Valve cap	AI-S-303
2b	Valve cap, stainless	AI-S-303-SS-316
3	Valve cap, 1 quart	AI-1QT-303

OD THREAD SPECIFICATIONS	
PART	DESCRIPTION
A	7/8"-14 UNF OD
B	2"-12 UNF OD
C	.305"-32 UNEF OD
D	3/8"-24 UNF OD
E	1/2"-20 UNF OD
F	5/8"-18 UNF OD

FLUID PORTS

BLADDER ACCUMULATORS - PARTS



3000 PSI ASSEMBLIES

PART	DESCRIPTION	1 QUART	1-1.5 GALLON	2.5-15 GALLON
	Fluid port assembly (1-12)	AI-1QT-400	AI-1-400	AI-S3-400
	Plug and poppet assembly (1-6)	AI-1QT-401	AI-1-401	AI-S3-401
1	Poppet	AI-1QT-404	AI-1-404	AI-S-404
2	Spring	AI-1QT-409-SS	AI-1-409-SS	AI-S-409-SS
3	Fluid port	AI-1QT-402	AI-1-402	AI-S3-402
4	Bleed plug	-	-	-
	NPT	-	AI-S-418	AI-S-418
	SAE	-	AI-S-419	AI-S-419
5	Piston	AI-1QT-405-SS	AI-1-405-SS	AI-S-405-SS
6	Stop nut	AI-1QT-408	AI-1-408	AI-S-408-SS
7	Anti-extrusion ring	AI-1QT-407	AI-1-407	AI-S-407
8	Metal backup ring	AI-1QT-412	AI-1-412	AI-S-412
9	O-ring	AI-1QT-410	AI-1-410	AI-S-410
10	Rubber backup ring	-	AI-1-411	AI-S-411
11	Spacer	AI-1QT-406	AI-1-406	AI-S3-406
12	Locknut	AI-1QT-403	AI-1-403	AI-S-403

5000 AND 6000 PSI ASSEMBLIES

PART	DESCRIPTION	1 QUART 5000 PSI	1 GALLON 6000 PSI	2.5-15 GALLON 6000 PSI
	Fluid port assembly (1-12)	AI-1QT-400	AI-1-6-400	AI-S6-400
	Plug and poppet assembly (1-6)	AI-1QT-401	AI-1-6-401	AI-S6-401
1	Poppet	AI-1QT-404	AI-1-404	AI-S-404
2	Spring	AI-1QT-409-SS	AI-1-409-SS	AI-S6-409-SS
3	Fluid port	AI-1QT-402	AI-1-6-402	AI-S6-402
5	Piston	AI-1QT-405-SS	AI-1-405-SS	AI-S-405-SS
6	Stop nut	AI-1QT-408	AI-1-408	AI-S-408-SS
7	Anti-extrusion ring	AI-1QT-407	AI-1-407	AI-S-407
8	Metal backup ring	AI-1QT-412	AI-1-412	AI-S-412
9	O-ring	AI-1QT-410	AI-1-410	AI-S-410
10	Rubber backup ring	-	AI-1-411	AI-S-411
11	Spacer	AI-1QT-406	AI-1-6-406	AI-S6-406
12	Locknut	AI-1QT-403	AI-1-403	AI-S-403

Our fluid ports are available in carbon steel, nickel-plated carbon steel and stainless steel. Replacement fluid port assemblies for 1 Pint 3000 PSI and 2.5-15 Gallon 10000 PSI accumulators are also available.