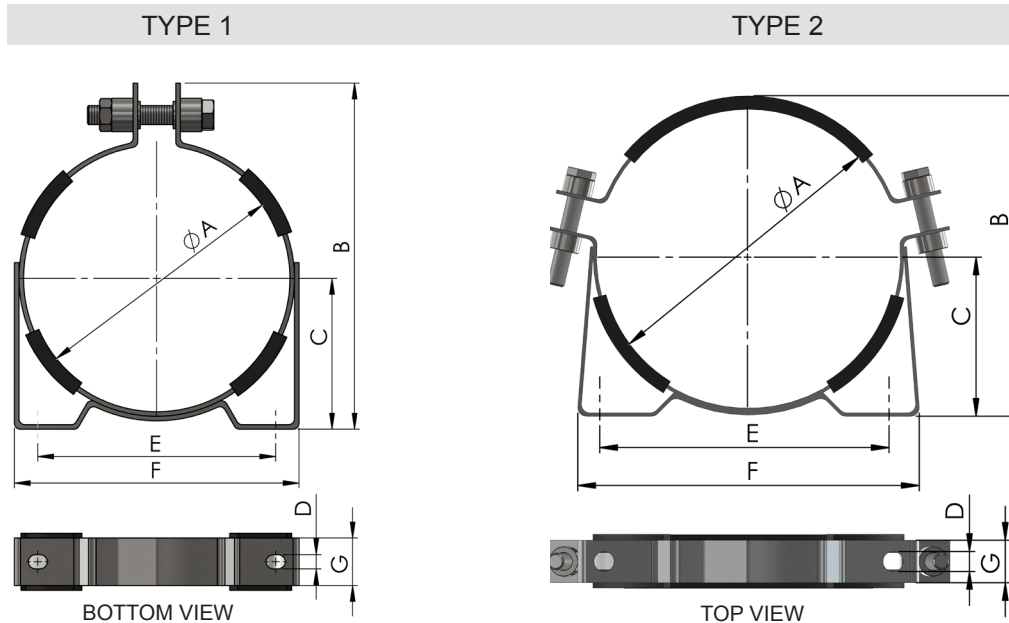


COLLARS & CLAMPS

DIAPHRAGM ACCUMULATORS - MOUNTING



MOUNTING COLLARS FOR AME DIAPHRAGM ACCUMULATORS										
PART NUMBER ZINC PLATED	PART NUMBER STAINLESS	TYPE	FITS	DIMENSIONS (IN.)						
				A	B	C	D	E	F	G
AI-CLR-300	AI-CLR-300-SS	1	AME6, AMW10	3.1	-	1.9	0.4	3.2	-	1.2
AM-514	AM-514-SS	1	AME30	3.6	5.3	2.2	0.4	3.5	4.4	1.2
AI-CLR-350	AI-CLR-350-SS	1	AME20	3.5	4.4	2.1	0.4	3.2	5.1	1.2
AI-CLR-400	AI-CLR-400-SS	3	AMW30	4.1	5.6	2.5	0.3	3.5	5.0	1.3
AI-CLR-475	AI-CLR-475-SS	2	AME45 THRU AME150, AMW60, AMW45	4.7	-	2.7	0.4	3.9	-	1.2
AI-CLR-600	-	2	AMW85	6.1	-	3.4	0.4	5.8	-	1.2

Mounting collars available in increments of 1/4" from 3" OD to 20" OD (AI-CLR-300 through AI-CLR-2000). Contact us for more information.

NOTE: Mounting collars are sold in kit form, including the appropriate adjustment bolts and rubber cushions. Mounting bolts are not included. Standard collars and clamps are carbon steel plated with zinc. Stainless collars are 300 series stainless. These clamps are mounting fasteners only and are not intended to support the entire weight of an accumulator. Contact us for specifications.