

DIAPHRAGM ACCUMULATOR ORDERING TABLE

DIAPHRAGM ACCUMULATORS

Use the table below to determine the part number for your desired accumulator. For help sizing your accumulator, selecting a compatible elastomer, and to obtain a quote on accumulators and all our other products, visit our website at accumulators.com.

Select the desired option from each list and place the corresponding code in its proper place:

MODEL	SIZE	PRESSURE	FLUID PORT	ELASTOMER	SERVICE	EXAMPLE
AMF	7	3.6100	M18		NP	= AMF73.6100M18NP

MODEL	
OPTION	CODE
Repairable	AMF
Welded	AMFW
Crimped	AMFC
SIZE	
OPTION	CODE
7 cu. in.	7
10 cu. in.	10
20 cu. in.	20
30 cu. in.	30
45 cu. in.	45
60 cu. in.	60
80 cu. in.	80
90 cu. in.	90
120 cu. in.	120
150 cu. in.	150
170 cu. in.	170

PRESSURE	
OPTION	CODE
2175 PSI	2100
3625 PSI	3.6100
4350 PSI	4.3100
5000 PSI	5100

FLUID PORT	
OPTION	CODE
1/2" BSP	B8
3/4" BSP	B12
M18x1.5	M18
3/4"-16 SAE	S8
1-1/16"-12 SAE	S12

Fluid ports may include use of an adapter from Metric or BSP

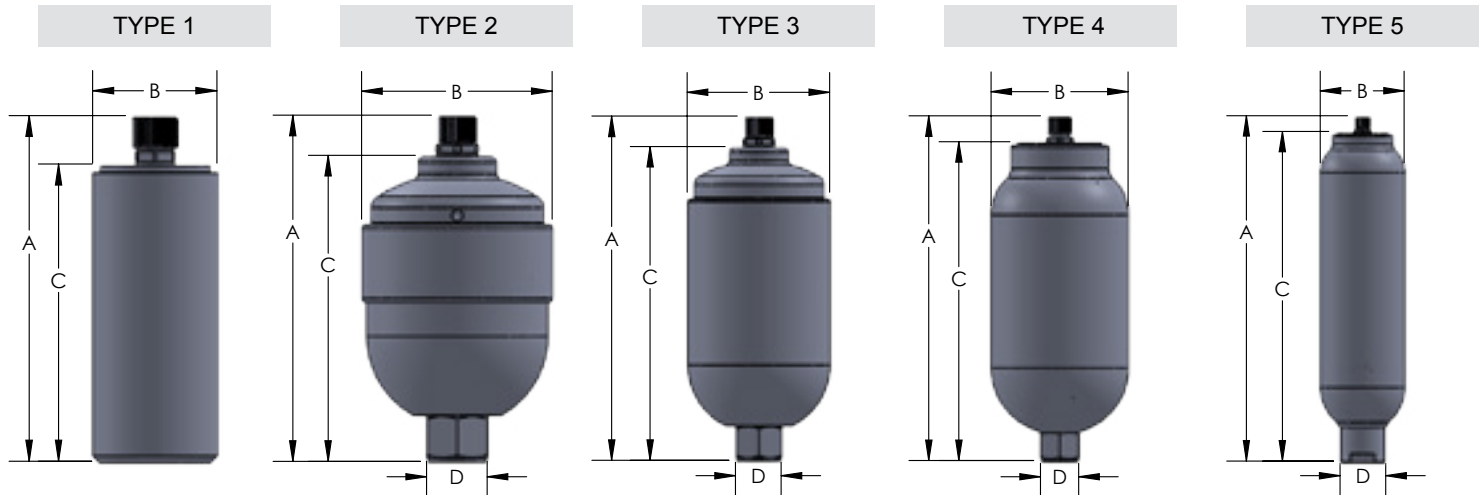
ELASTOMER	
OPTION	CODE
Buna-Nitrile	Blank
Hydrin/ECO	H
EPR	E
Viton	V
SERVICE	
OPTION	CODE
Painted	Blank
Stainless Steel	AS
Nickel Plated	NP

Only the most popular options are shown above. We have many more styles and sizes available.

REPAIRABLE DIAPHRAGM ACCUMULATORS

7-150 IN³ MODELS

Part numbers below are standard carbon steel. Items are available with coatings or in stainless steel for improved corrosion resistance and diaphragm life. The models detailed below are fully repairable.



2175 PSI STAINLESS STEEL MODELS

PART NUMBER	NOMINAL SIZE (IN ³)	GAS VOLUME (IN ³)	DIMENSIONS				WEIGHT (LBS.)	STD. FLUID PORT	REPAIR KIT	TYPE	COLLAR
			A	B	C	D					
AMF72100S8AS	7	7	5.1	3.1	4.5	-	7	3/4"-16 SAE	AMF-7-2-300	1	AI-CLR-300-SS
AMF202100S8AS	20	21	6.2	3.9	5.4	1.4	13	3/4"-16 SAE	AMF-20-2-300	1	AI-CLR-400-SS

3625 PSI MODELS

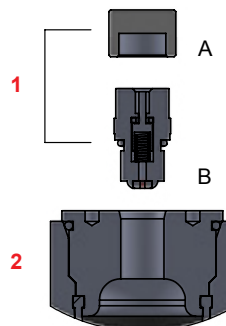
PART NUMBER	NOMINAL SIZE (IN ³)	GAS VOLUME (IN ³)	DIMENSIONS				WEIGHT (LBS.)	STD. FLUID PORT	REPAIR KIT	TYPE	COLLAR
			A	B	C	D					
*AMF73.6100M18S8	7	7	7.0	2.2	6.3	1.3	7	3/4"-16 SAE	AMF-7-300	1	AI-CLR-225
AMF903.6100M18S8	90	92	11.4	4.5	10.5	1.3	15	3/4"-16 SAE	AMF-90-300	4	AI-1QT-511
AMF1503.6100S12	150	153	18.6	4.5	17.7	2.7	22	1 1/16"-12 SAE	AMF-150-300	5	AI-1QT-511

4350 & 5000 PSI MODELS

PART NUMBER	NOMINAL SIZE (IN ³)	GAS VOLUME (IN ³)	DIMENSIONS				WEIGHT (LBS.)	STD. FLUID PORT	REPAIR KIT	TYPE	COLLAR
			A	B	C	D					
*AMF74.3100S8	7	7	6.0	2.2	5.3	-	3	3/4"-16 SAE	AMF-7-300	1	AI-CLR-225
AMF204.3100M18S8	20	21	7.2	4.0	6.3	1.3	9	3/4"-16 SAE	AM-20-300	2	AI-CLR-400
AMF304.3100M18S8	30	31	7.9	4.9	6.9	1.3	14	3/4"-16 SAE	AM-30-300	2	AI-CLR-500
AMF454.3100M18S8	45	43	9.5	3.9	8.7	1.3	12	3/4"-16 SAE	AMF-45-300	3	AI-CLR-400
AMF804.3100M18S8	80	79	10.3	5.0	9.5	1.3	17	3/4"-16 SAE	AMF-80-300	2	AI-CLR-500
AMF75100S8	7	7	5.7	3.5	5.1	-	11	3/4"-16 SAE	AMF-7-5-300	1	AI-CLR-350

CHARGING & GAUGING

To charge our repairable diaphragm accumulators, use charging kit AME-CG3-3KT-SS or use adapter AME-CG-004 with our AI-CG3-3KT-SS bladder accumulator charging kit.



COMPONENT PARTS

ITEM	PART #	DESCRIPTION
1	AMF-309	Gas valve assembly
2	-	Shell

THREAD SPECIFICATIONS

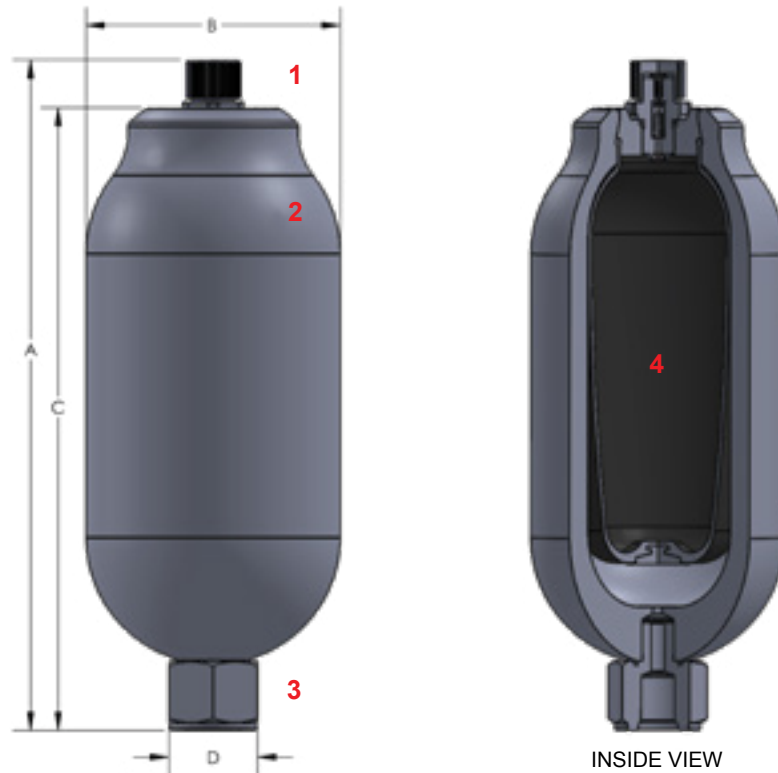
ITEM	DESCRIPTION
A	5/8" UNF
B	3/8" BSP

*Uses AMF-309-1 valve (1/4" BSP)

NON-REPAIRABLE DIAPHRAGM ACCUMULATORS

10-170 IN³ MODELS

Part numbers below are standard carbon steel. Items are available with OD coatings or in stainless steel for improved corrosion resistance and diaphragm life. The models detailed below are non-repairable and should be replaced if no longer functioning properly.



3625 PSI MODELS									
PART NUMBER	MODEL PRESSURE	NOMINAL SIZE (IN ³)	GAS VOLUME (IN ³)	DIMENSIONS				WEIGHT (LBS.)	STD. FLUID PORT
				A	B	C	D		
AMFC103.6100M18S8	3625	10	9	5.8	2.8	5.1	1.3	4	3/4"-16 SAE
AMFC203.6100M18S8	3625	20	21	8.5	2.8	7.8	1.3	6	3/4"-16 SAE
AMFC303.6100M18S8	3625	30	27	7.4	3.6	6.5	1.3	6	3/4"-16 SAE
AMFC453.6100M18S8	3625	45	42	9.6	3.6	8.7	1.3	7	3/4"-16 SAE
AMFW603.6100M18S8	3625	60	61	8.7	4.5	8.0	1.3	10	3/4"-16 SAE
AMFC903.6100M18S8	3625	90	90	11.5	4.5	10.8	1.3	14	3/4"-16 SAE
AMFC1203.6100M18S8	3625	120	122	14.5	4.5	13.6	1.3	17	3/4"-16 SAE
AMFC1703.6100B8S8	3625	170	170	16.7	4.5	15.9	1.3	19	3/4"-16 SAE

COMPONENT PARTS	
ITEM	DESCRIPTION
1	Gas port, 5/8" UNF
2	Shell
3	Fluid port, 3/4" SAE (#8)
4	Diaphragm

Only the most popular options are shown above. We have many more styles and sizes available.